



**ADTECH**  
 Analog-Digital Technology, Inc.  
 3750 Monroe Avenue  
 Pittsford, New York 14534-1302  
 (716) 383-8280 • FAX (716) 383-8386

# SRT 30

## Non-Isolated Square Root Extractor

### Instruction Manual

### 1.0 INTRODUCTION

These instructions refer to the above model. Supplementary sheets are attached if the unit has special options or features. For detailed specifications, see page 4 or refer to the Data Bulletin. All ADTECH instruments are factory calibrated and supplied with a label detailing the calibration. Adjustments are therefore not necessary. Adjustments are normally not necessary. A simple check should be performed to verify calibration before installation to ensure that it matches the field requirement.

### 2.0 GENERAL DESCRIPTION

The ADTECH SRT 30 is a Non-Isolated Square Root Extractor that accepts a process input signal of 1-5 vdc or 4-20 ma dc and converts it into any of the standard control signal outputs such as 4-20 ma dc. The output is directly proportional to the square root of the input.

Power Option P 1 Non-Isolated 24 vdc provides negative output signal and negative DC power common rail connection.

The output is a true current source and provides process signals such as 4-20 ma, 0-1 ma, 0-10 ma, 1-5 ma and 10-50 ma dc or alternatively, a voltage signal of 5 vdc full scale. Other current and voltage Inputs/Outputs (I/O) are available as specified on the Data Bulletin.

### 3.0 INSTALLATION

The instrument is supplied in a general purpose enclosure as standard. NEMA 4, 7 or 12 and plug in chassis enclosures are optionally available. Installation area/location must agree with the supplied instruments including operating temperature and ambient conditions.

#### Mounting

Refer to the appropriate outline drawing for mounting and clearance dimensions. The instrument is surface mounted with two #10-32 screws on 8.00 inch centers.

#### Electrical Connections

The wire used to connect the instrument to the control system I/O should be a twisted pair(s) and sized according to normal practice. Shielded cable is not normally necessary (if used, the shield must be grounded at the input negative of the ADTECH instrument and left floating at the sensor).

A 12 position barrier terminal block with #6-32 screws and 3/8" spacing is provided for I/O and power connection. A housing ground terminal marked G is also provided.

#### Controls

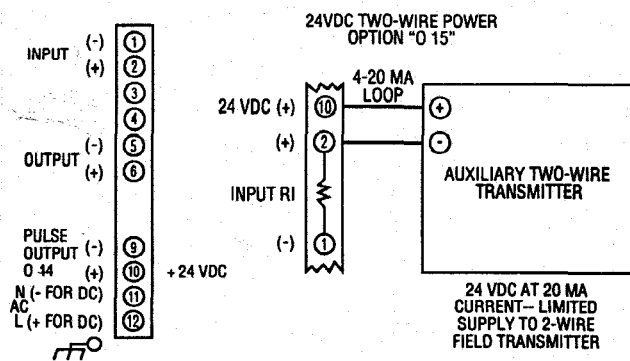
Multiturn INPUT ZERO, OUTPUT ZERO, SPAN, DROPOUT and Optional RATE controls are provided to calibrate the instrument. The multiturn controls are accessible through the instrument front panel and are clearly marked for ease of use.

### 4.0 MAINTENANCE

These instruments are electronic and require no maintenance except periodic cleaning and calibration verification. If the unit appears to be mis-operating it should be checked as installed per section 6.0 or removed for a bench check per sections 6.0-7.0. MOST problems are traced to field wiring and/or associated circuits. If the problem appears to be with the instrument, proceed to sections 6.0 and 7.0.

### 5.0 CONNECTIONS

Standard connections are shown below and on the instrument face plate, Data Bulletin or on attached supplementary sheets.



## 6.0 CALIBRATION

To perform a calibration check or re-calibration of the instrument follow this procedure.

- A. Make sure the unit I/O wiring is properly connected and that the correct power source per the label is also connected. The instrument must be at normal power for a minimum of 2 minutes before proceeding to B.
- B. The input signal source(s) must be adjustable from 0 to 100% in steps of 10% or at least 25%. The source(s) should be either precalibrated or an accurate meter must be used to monitor the input(s).
- C. The output may be monitored either as a direct voltage for a voltage output signal or as a current that can be represented as a voltage across a resistor shunt.
- D. First turn the DROPOUT potentiometer fully counterclockwise (CCW).
- \*E. Set the input source to the minimum input value (4.00 ma dc or 1.000 vdc) and connect a meter to Terminals #1(-) and #8(+). Adjust the multiturn potentiometer marked INPUT ZERO until the meter reading is  $0.000 \pm 0.001$  vdc.
- \*F. With the input source at the minimum value, short Terminals #1 and #8 and connect the meter to the output signal terminals #5(-) and #6(+). Adjust the multiturn potentiometer marked OUTPUT ZERO to provide the minimum calibrated output (e.g.) 4.00 ma  $\pm 0.01$  ma dc.
- \*G. Remove the short from Terminals #1 and #8.
- H. Set the input source to the maximum value and adjust the multiturn potentiometer marked SPAN to provide the maximum calibrated output (e.g.) 20.00 ma  $\pm 0.01$  ma dc.
- I. Set the input at 1.00% of the input span (e.g.) 4.16 ma dc. The output should read 10% of the output span (e.g.) 5.60 ma. If correction is required adjust the INPUT ZERO potentiometer to provide the desired output.
- J. Repeat steps F, G and H until no further adjustment is required.
- K. Check linearity per the I/O relation table.
- L. To adjust the Drop Out, set the input signal at the desired drop out level and adjust the multiturn potentiometer marked DROP OUT CW until the output drops to the output zero value.
- M. This completes the calibration.

## 6.1 PULSE OUTPUT

If the SRT 30 has been supplied with Option O 44 pulse output refer to O 44 Supplement sheet for calibration details.

\*NOTE: For contact output option use terminal #3 instead of #8 in steps E, F & G

## 7.0 FIELD TROUBLE SHOOTING GUIDE

This section offers a simple, first level trouble-shooting aid for an apparent instrument malfunction.

<u>SYMPTOM</u>	<u>CORRECTIVE ACTION</u>
No output	<ol style="list-style-type: none"> <li>1. Check the input and output connections carefully.</li> <li>2. Check that the power supply polarity is correct and that power is present on the instrument terminals.</li> <li>3. Check that the input source(s) is correct and that it changes magnitude between zero and full scale values when so adjusted.</li> <li>4. If the output is a current signal (4-20 ma, etc.), make sure the output loop is complete and that the correct meter range is selected.</li> </ol> <p>All external checks are complete. Problem seems to be internal.</p>

The following information is provided for a qualified technician or serviceman as check points for use in internal troubleshooting.

<u>CHECKPOINT/ COMPONENT</u>	<u>VOLTAGE/ RANGE</u>
(across) C3	$10.5 \pm 0.5$ vdc
(across) C22	$26 \pm 4$ vdc
(across) C23	$12 \pm 0.6$ vdc
(from com.) +R	$+ 6.9 \pm 0.35$ vdc
(across) R3	0.2 - 1.0 vdc

**INPUT/OUTPUT  
RELATION TABLE**

INPUT % of SPAN	OUTPUT % of SPAN
1.00	10.00
10.00	31.62
20.00	44.72
25.00	50.00
40.00	63.24
50.00	70.71
60.00	77.46
75.00	86.60
80.00	89.44
100.00	100.00

## 8.0 TABLES, PCB LAYOUT

### INPUT TABLE

INPUT SIGNAL FULL SCALE	INPUT SHUNT RI
50 ma dc	100 ohm, 1/2 W
20 ma dc	250 ohm, 1/2 W
10 ma dc	499 ohm
1 ma dc	4.99K ohm
10 vdc	See Note 1
5 vdc	None

All selected resistors are 1%, M.F., 1/4 W, 50 PPM, unless otherwise noted.

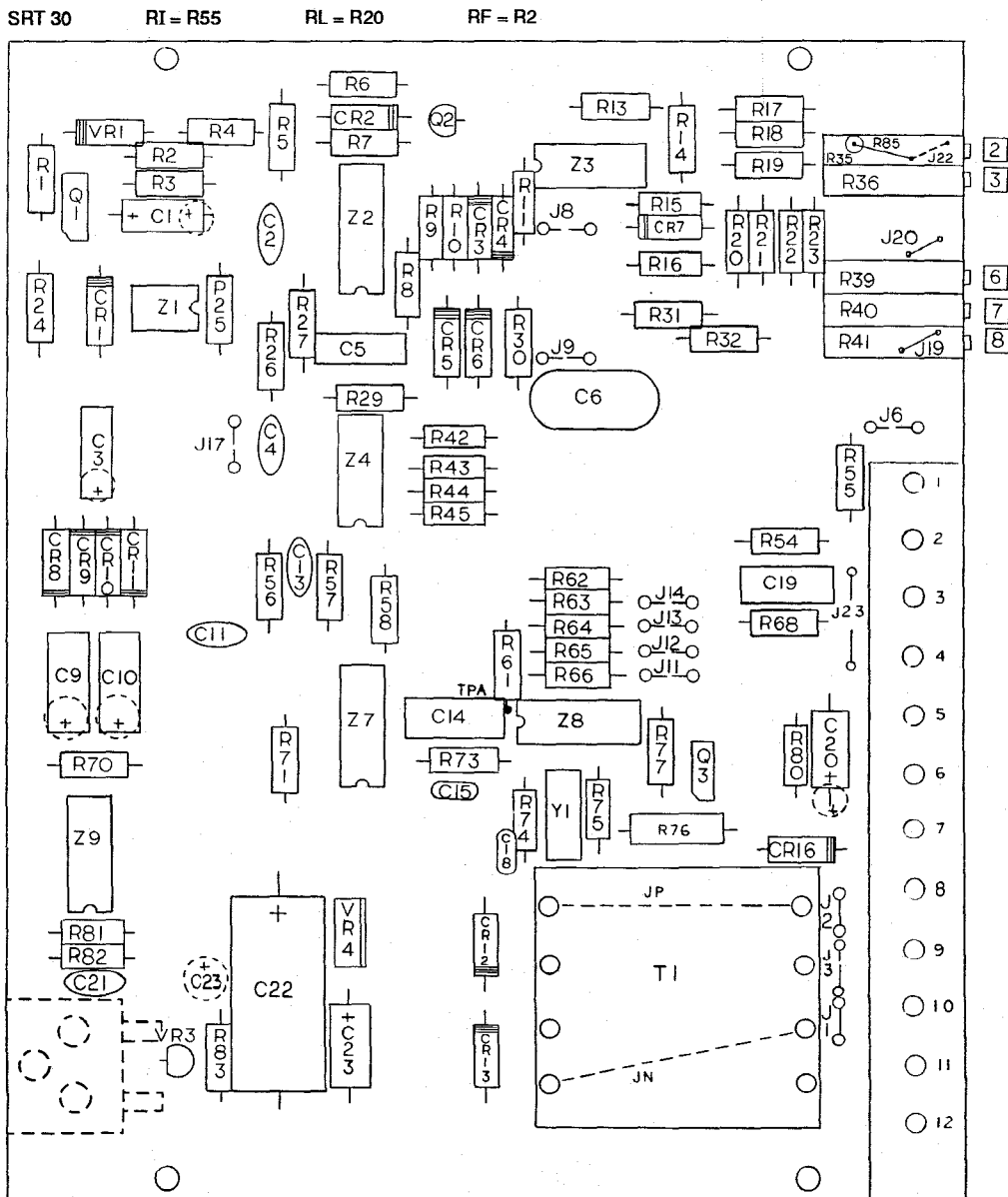
NOTE 1: R54 = 150 K, RC19 = 100K where RC19 is a resistor connected across C19.

### OUTPUT TABLE

OUTPUT SIGNAL FULL SCALE	OUTPUT SHUNT RL	FEEDBACK RES RF
50 ma dc	NONE	20 ohm
20 ma dc	NONE	49.9 ohm
10 ma dc	NONE	100 ohm
1 ma dc	NONE	1K ohm
10 vdc	604 ohm, 1/4 W	49.9 ohm
5 vdc	250 ohm, 1/2 W	49.9 ohm

All selected resistors are 1%, M.F., 1/4 W, 50 PPM, unless otherwise noted.

NOTE A: Components as shown may or may not be present on the p.c. board due to design updates or options.



## 9.0 SPECIFICATIONS

### INPUT/OUTPUT

#### INPUT SIGNALS

- 4-20 ma dc (Z in 250 ohms)
- 10-50 ma dc (Z in 100 ohms)
- 0-1 ma dc (Z in 5K ohms)
- 0-10 ma dc (Z in 500 ohms)
- 1-5 vdc (Z in 10 megohms)
- 0-5 vdc (Z in 10 megohms)
- 0-10 vdc (Z in 100K ohms)
- Other zero based current and voltages available
- Low impedance current inputs, 1/10 standard (Option I 18)

#### OUTPUT SIGNALS/OUTPUT DRIVE

	AC Power	DC Power
a. 4-20 ma dc	0-1000 ohms max.	0-900 ohms max.
b. 10-50 ma dc	0-400 ohms max.	0-350 ohms max.
c. 0-1 ma dc	0-20,000 ohms max.	0-18,000 ohms max.
d. 1-5 vdc	250 ohms Z out	250 ohms Z out
e. 0-10 vdc	500 ohms Z out	500 ohms Z out

Zero based current and voltages in the above ranges are standard (e.g.) 0-20 ma, 0-5 vdc. Other voltage and currents optional.

#### PERFORMANCE

- Calibrated Accuracy:**  $\pm 0.1\%$  for 1-100% of input
- Linearity:**  $\pm 0.1\%$  maximum,  $\pm 0.04\%$  typical
- Repeatability:**  $\pm 0.05\%$  maximum
- Temperature Stability:**  $\pm 0.01\%/^{\circ}\text{F}$  maximum,  $\pm 0.004\%/^{\circ}\text{F}$  typical
- Load Effect:**  $\pm 0.01\%$  zero to full load
- Output Ripple:** 10 mv P/P maximum
- Response Time:** 150 milliseconds
- Temperature Range:**  $0^{\circ}$  to  $140^{\circ}\text{F}$  ( $-18^{\circ}$  to  $60^{\circ}\text{C}$ ) operating  
 $-40^{\circ}$  to  $185^{\circ}\text{F}$  ( $-40^{\circ}$  to  $85^{\circ}\text{C}$ ) storage
- Power Supply Effect:**  $\pm 0.05\%$  for a  $\pm 10\%$  power variation
- Zero Dropout:** 0-20%

Note: All accuracies are given as a percentage of span

#### POWER

- 115 vac:  $\pm 10\%$ , 50/60 Hz, 3 watts, 0.7 Pf (standard)
- 24 vdc:  $\pm 10\%$  non-isolated, 3 watts (Option P1)
- 24 vdc:  $\pm 10\%$  isolated, 3 watts (Option P2)
- 48 vdc:  $\pm 10\%$  isolated, 3 watts (Option P3)
- 125 vdc: Nominal (105-140 vdc) isolated, 3 watts (Option P4)
- 230 vac:  $\pm 10\%$ , 50/60 Hz, 3 watts, 0.7 PF (Option P5)

## 10.0 OUTLINE & MOUNTING

