



# ADTECH

95 Mt. Read Blvd # 149  
Rochester, New York 14611 USA  
Phone: 1.585.698.1845  
Fax: 1.585.697.0445

www.adtech-inst.com

## SQUARE ROOT TRANSMITTER MODEL NO. SRT 30

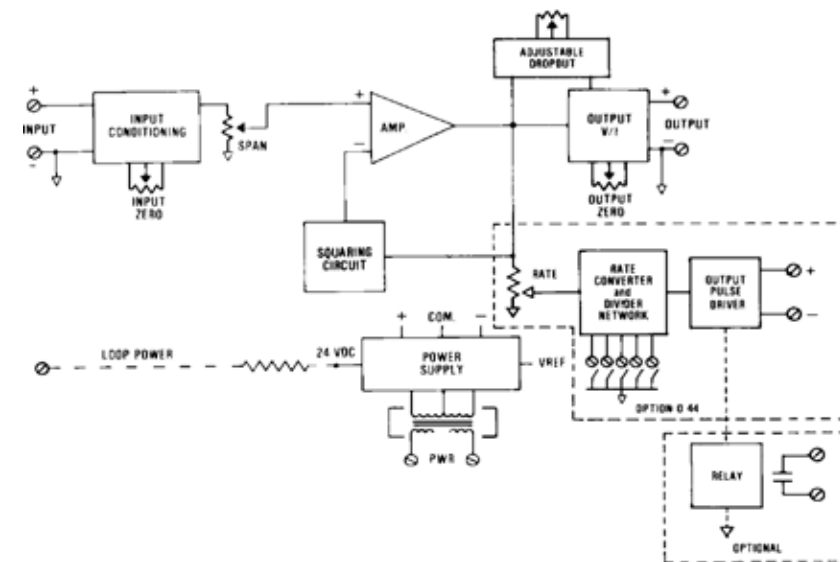
THE ADTECH MODEL SRT 30 SQUARE ROOT TRANSMITTER PROVIDES ACCURATE AND ECONOMICAL CONVERSION OF SQUARED INPUT SIGNALS TO ANY LINEAR STANDARD PROCESS SIGNAL SUCH AS 4-20 MA DC, 1-5 VDC, OR ZERO-BASED OUTPUTS.

AN EXCLUSIVE OUTPUT OPTION (O 44) PROVIDES A PULSE RATE OUTPUT ALONG WITH THE STANDARD ANALOG OUTPUT. PULSE RATE ADJUSTMENT IS PROVIDED BY AN INFINITE RESOLUTION RATE POTENTIOMETER. THIS ELIMINATES THE NEED FOR A SEPARATE LINEAR INTEGRATOR. LIT 56, IF THE OUTPUT IS TO BE TOTALIZED.

AN ADJUSTABLE ZERO CUT-OFF/ DROPOUT IS PROVIDED TO AVOID A FALSE FLOW SIGNAL. ALSO, INPUT ZERO, OUTPUT ZERO, AND SPAN ADJUSTMENT CONTROLS ARE PROVIDED BY INFINITE RESOLUTION MULTITURN POTENTIOMETERS.

THE SRT 30 EMPLOYS THE LATEST DESIGN AND COMPONENTS FOR SUPERIOR RELIABILITY, ACCURACY, AND SERVICEABILITY.

IT PROVIDES STANDARD PROCESS CURRENT OR VOLTAGE SIGNALS ON THE OUTPUT WITH A MAXIMUM OF 10 mV P/P OUTPUT RIPPLE. THE SRT 30 OFFERS A CONVENIENT WAY OF INTERFACING SQUARED INPUT SIGNALS TO A COMPUTER SYSTEM OR OTHER PROCESS INSTRUMENTATION FOR IMPROVED RESOLUTION.



## FEATURES

- SQUARED INPUTS:  $\Delta P$  FROM ORIFICE PLATE
- DYNAMIC RANGE: 1-100% OF INPUT
- DC CURRENT INPUTS: 4-20 MA, ETC.
- DC VOLTAGE INPUTS: 1-5 VDC, ETC.
- HIGH INPUT IMPEDANCE: 10 MEGOHMS MINIMUM
- ZERO-BASED INPUTS: CURRENT AND VOLTAGE
- ADJUSTABLE DROPOUT: 0-20%
- PULSE OUTPUT: OPTIONAL
- DC PROCESS SIGNAL OUTPUTS: CURRENT AND VOLTAGE
- REPEATABILITY:  $\pm 0.05\%$  OF SPAN TYPICAL
- HIGH ACCURACY:  $\pm 0.1\%$  OF SPAN

## TYPICAL APPLICATIONS

- FLOW LINEARIZATION OF ORIFICE FLOW TRANSMITTERS
- POWER LINEARIZATION OF SQUARING TYPE RMS VOLTAGE OR CURRENT TRANSDUCERS.



