



**ADTECH**  
 Analog-Digital Technology, Inc.  
 95 Mt. Read Blvd Suite 149  
 Rochester, New York 14611 USA  
 Phone 1.585.698.1845 Fax 1.585.697.0445

# RBM 98

## Non-Isolated Ratio and Bias Module

### Instruction Manual

#### 1.0 INTRODUCTION

These instructions refer to the above model. Supplementary sheets are attached if the unit has special options or features. For detailed specifications, see page 4 or refer to the Data Bulletin. All ADTECH instruments are factory calibrated and supplied with a label detailing the calibration. Adjustments are normally not necessary. A simple check should be performed to verify calibration before installation to ensure that it matches the field requirement.

#### 2.0 GENERAL DESCRIPTION

The ADTECH RBM 98 is a Non-Isolated Ratio and Bias Module that accepts a process input signal of 1-5 vdc or 4-20 ma dc and provides a means of adding or subtracting a desired amount of Bias to the input signal and/or changing the Ratio (gain) relationship of the output to the input.

The input Bias has a range of 0-100% of full scale input and the Ratio has a range of 0.1 to 10. An output Bias of up to 50% of the output span is standard.

Power Option P 1 Non-Isolated 24 vdc provides negative output signal and negative DC power common rail connection.

The output is a true current source and provides process signals such as 4-20 ma, 0-1 ma, 0-10 ma, 1-5 ma and 1-50 ma dc or alternatively, a voltage signal of 5 vdc full scale. Other current and voltage **Inputs/Outputs (I/O)** are available as specified on the Data Bulletin.

#### 3.0 INSTALLATION

The instrument is supplied in a general purpose enclosure as standard. NEMA 4, 7 or 12 and plug in chassis enclosures are optionally available. Installation area/location must agree with the supplied instruments including operating temperature and ambient conditions.

#### Mounting

Refer to the appropriate outline drawing for mounting and clearance dimensions. The instrument is surface mounted with two #10-32 screws on 8.00 inch centers.

#### Electrical Connections

The wire used to connect the instrument to the control system I/O should be a twisted pair(s) and sized according to normal practice. Shielded cable is not normally necessary (if used, the shield must be grounded at the input negative of the ADTECH instrument and left floating at the sensor).

A 12 position barrier terminal block with #6-32 screws and 3/8" spacing is provided for I/O and power connection. A housing ground terminal marked G is also provided.

#### Controls

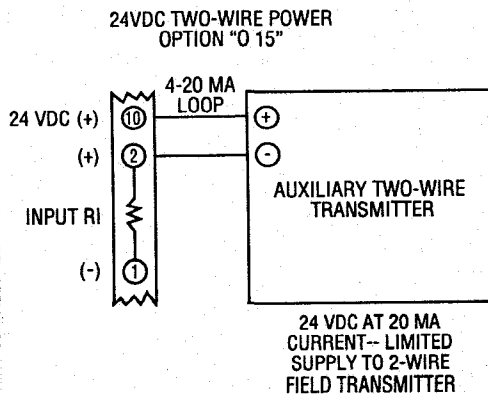
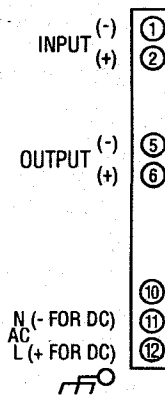
Multiturn INPUT ZERO, OUTPUT ZERO, and RATIO controls are provided to calibrate the instrument. The multiturn controls are accessible through the instrument front panel and are clearly marked for ease of use.

#### 4.0 MAINTENANCE

These instruments are electronic and require no maintenance except periodic cleaning and calibration verification. If the unit appears to be mis-operating it should be checked as installed per section 6.0 or removed for a bench check per sections 6.0-7.0. MOST problems are traced to field wiring and/or associated circuits. If the problem appears to be with the instrument, proceed to sections 6.0 and 7.0.

#### 5.0 CONNECTIONS

Standard connections are shown below and on the instrument face plate, Data Bulletin or on attached supplementary sheets.



## 6.0 CALIBRATION

To perform a calibration check or re-calibration of the instrument follow this procedure.

- A. Carefully remove the instrument from the housing to gain access to the internal components, observing normal safety and equipment precautions.
- B. Make sure the I/O wiring is properly connected and that the correct power source per the label is also connected. The instrument must be at normal power for a minimum of 2 minutes before proceeding to C.
- C. The input signal source(s) must be adjustable from 0 to 100% in steps of 10% or at least 25%. The source(s) should be either precalibrated or an accurate meter must be used to monitor the input(s).
- D. The output may be monitored either as a direct voltage for a voltage output signal or as a current that can be represented as a voltage across a resistor shunt.
- E. Refer to the Ratio-Bias Table in Section 8.0 and make sure that the proper jumpers are present for the Ratio and Bias values desired.
- F. Set the input source to the minimum input value (equal to input bias) and adjust the multiturn potentiometer marked IN-ZERO to obtain  $0.000 \pm 0.002$  vdc at the internal test point TP1(+) (with reference to Terminal #1(-)).
- G. Maintaining the same source setting as in F, adjust the multiturn potentiometer marked OUT-ZERO to provide the minimum calibrated output (e.g.)  $4.00 \pm 0.01$  ma dc.
- H. Set the input source to maximum value and adjust the multiturn potentiometer marked SPAN (Ratio) to provide the maximum calibrated output (e.g.)  $20.00 \pm 0.01$  ma dc.
- I. Repeat steps G and H until the readings are in calibration.
- J. This completes the calibration.

### NOTE:

If recalibration to a different input and/or output signal is required, proceed to the tables listed under Section 8.0.

## 7.0 FIELD TROUBLE SHOOTING GUIDE

This section offers a simple, first level trouble-shooting aid for an apparent instrument malfunction.

### SYMPTOM

### CORRECTIVE ACTION

No output

1. Check the input and output connections carefully.
2. Check that the power supply polarity is correct and that power is present on the instrument terminals.
3. Check that the input source(s) is correct and that it changes magnitude between zero and full scale values when so adjusted.
4. If the output is a current signal (4-20 ma, etc.), make sure the output loop is complete and that the correct meter range is selected.

All external checks are complete. Problem seems to be internal.

The following information is provided for a qualified technician or serviceman as check points for use in internal troubleshooting.

	<u>CHECKPOINT/ COMPONENT</u>	<u>VOLTAGE/ RANGE</u>
(across)	C11	$12 \pm 0.6$ vdc
(across)	C12	$26 \pm 4$ vdc
(across)	VR3	$6.9 \pm 0.35$ vdc
(across)	R54	0.2 - 1 vdc

## 8.0 TABLES, PCB LAYOUT

**INPUT TABLE**

INPUT SIGNAL FULL SCALE	INPUT SHUNT RI
50 ma dc	100 ohm, 1/2 W
20 ma dc	250 ohm, 1/2 W
10 ma dc	499 ohm
1 ma dc	4.99K ohm
10 vdc	See Note 1
5 vdc	None

All selected resistors are 1%, M.F., 1/4 W, 50 PPM, unless otherwise noted

NOTE 1: R36 = 150 K, R22 = 100 K

NOTE A: Components as shown may or may not be present on the p.c. board due to design updates or options.

**RATIO-BIAS TABLE**

RATIO			BIAS				
RATIO	J25	J26	J27	BIAS*	J16	J17	J18
0.1 - .85	X	-	-	0 - 1.5	-	-	X
0.84 - 2.0	-	X	-	1.3 - 3.0	-	X	X
1.9 - 4.4	-	-	X	3.0 - 5.0	X	-	X
4.2 - 10.0	-	-	-	*Bias-volts = I ma x .25			

(X) = Present (-) = Absent

\*NOTE 1: For zero suppression add J15, delete J14  
For zero elevation add J14, delete J15

NOTE 2: Bias voltage = I ma x 0.25 for 4-20 ma

**OUTPUT TABLE**

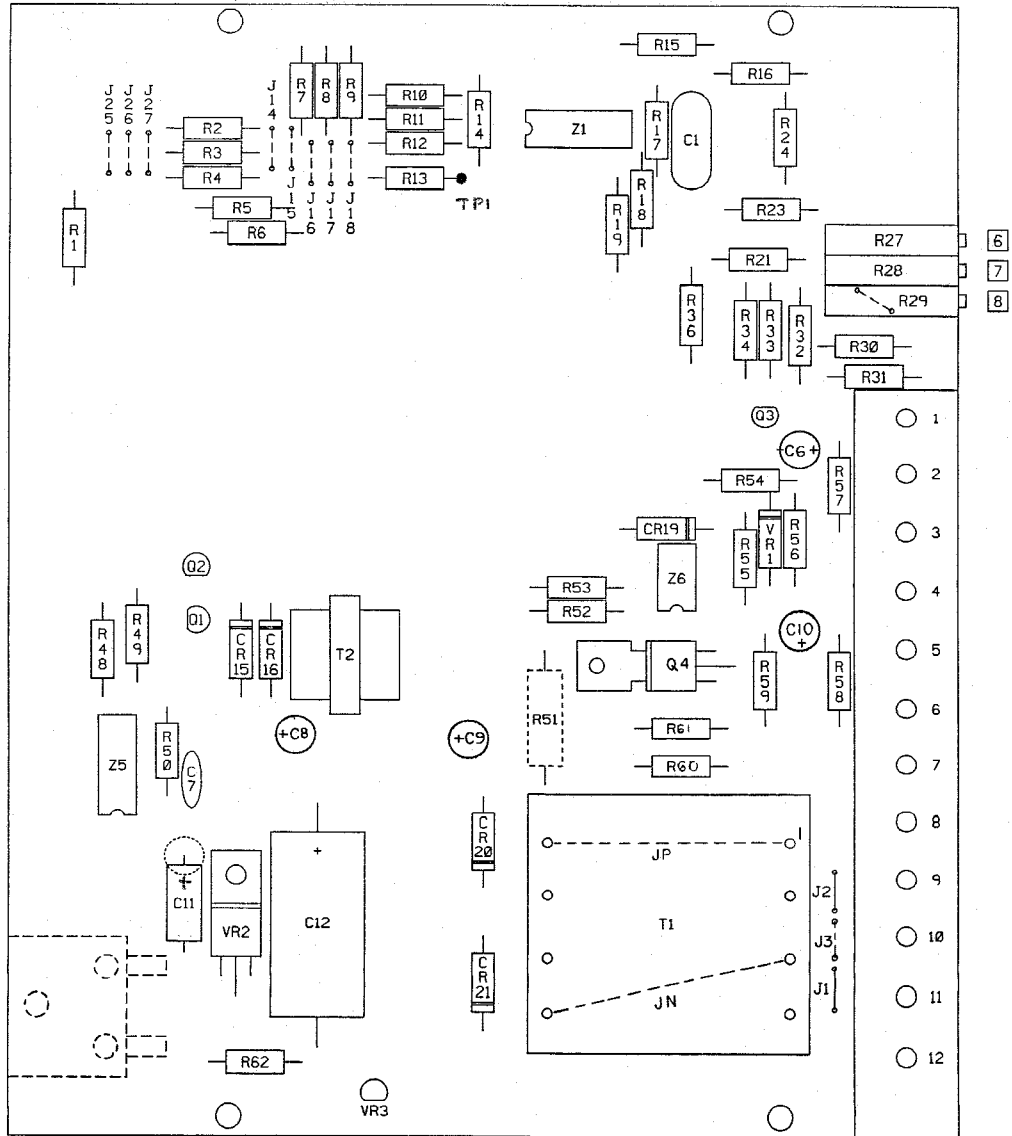
OUTPUT SIGNAL FULL SCALE	OUTPUT SHUNT RL	FEEDBACK RES RF
50 ma dc	NONE	20 ohm
20 ma dc	NONE	49.9 ohm
10 ma dc	NONE	100 ohm
1 ma dc	NONE	1K ohm
10 vdc	499 ohm, 1/2 W	49.9 ohm
5 vdc	250 ohm, 1/2 W	49.9 ohm

All selected resistors are 1%, M.F., 1/4 W, 50 PPM, unless otherwise noted

RBM 98

RI = R57

RL = R59



## 9.0 SPECIFICATIONS

### INPUT/OUTPUT

#### INPUT SIGNALS

- 4-20 ma dc (Z in 250 ohms)
- 10-50 ma dc (Z in 100 ohms)
- 0-1 ma dc (Z in 5K ohms)
- 0-10 ma dc (Z in 500 ohms)
- 1-5 vdc (Z in 10 megohms)
- 0-5 vdc (Z in 10 megohms)
- 0-10 vdc (Z in 100K ohms)
- Other zero based current and voltages available
- Low impedance current inputs, 1/10 standard (Option I 18)

#### OUTPUT SIGNALS/OUTPUT DRIVE

	AC Power	DC Power
a. 4-20 ma dc	0-1000 ohms max.	0-900 ohms max.
b. 10-50 ma dc	0-400 ohms max.	0-350 ohms max.
c. 0-1 ma dc	0-20,000 ohms max.	0-18,000 ohms max.
d. 1-5 vdc	250 ohms Z out	250 ohms Z out
e. 0-10 vdc	500 ohms Z out	500 ohms Z out

Zero based current and voltages in the above ranges are standard (e.g.) 0-20 ma, 0-5 vdc. Other voltage and currents optional.

#### PERFORMANCE

- Calibrated Accuracy:**  $\pm 0.1\%$
- Linearity:**  $\pm 0.1\%$  maximum,  $\pm 0.04\%$  typical
- Repeatability:**  $\pm 0.05\%$  maximum
- Temperature Stability:**  $\pm 0.01\%/^{\circ}\text{F}$  maximum,  $\pm 0.004\%/^{\circ}\text{F}$  typical
- Load Effect:**  $\pm 0.01\%$  zero to full load
- Output Ripple:** 10 mv P/P maximum
- Response Time:** 150 milliseconds
- Temperature Range:**  $0^{\circ}$  to  $140^{\circ}\text{F}$  ( $-18^{\circ}$  to  $60^{\circ}\text{C}$ ) operating  
 $-40^{\circ}$  to  $185^{\circ}\text{F}$  ( $-40^{\circ}$  to  $85^{\circ}\text{C}$ ) storage
- Ratio Range:** K = 0.1 to 10.0
- Input Bias:** 100%
- Output Bias:** 0-50% of span

Note: All accuracies are given as a percentage of span

#### POWER

- 115 vac:  $\pm 10\%$ , 50/60 Hz, 3 watts, 0.7 Pf (standard)
- 24 vdc:  $\pm 10\%$  non-isolated, 3 watts (Option P1)
- 24 vdc:  $\pm 10\%$  isolated, 3 watts (Option P2)
- 48 vdc:  $\pm 10\%$  isolated, 3 watts (Option P3)
- 125 vdc: Nominal (105-140 vdc) isolated, 3 watts (Option P4)
- 230 vac:  $\pm 10\%$ , 50/60 Hz, 3 watts, 0.7 PF (Option P5)

## 10.0 OUTLINE & MOUNTING

