



# ADTECH

95 Mt. Read Blvd # 149  
Rochester, New York 14611 USA  
Phone: 1.585.698.1845  
Fax: 1.585.697.0445

www.adtech-inst.com

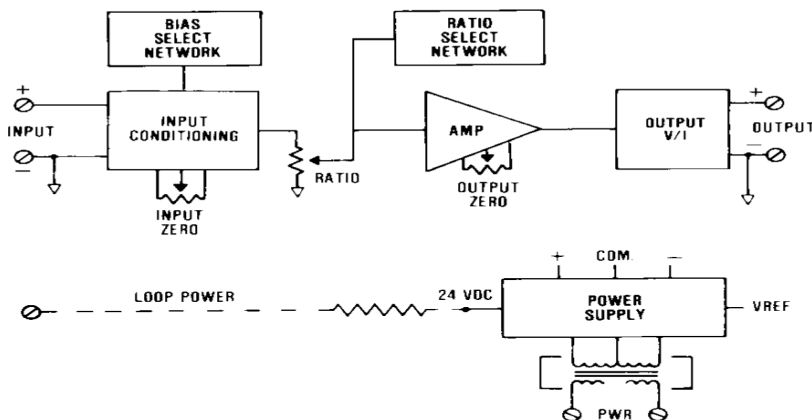
## RATIO AND BIAS MODULE MODEL NO. RBM 98

THE ADTECH MODEL RBM 98 RATIO AND BIAS MODULE OFFERS AN ACCURATE AND ECONOMICAL MEANS OF ADDING OR SUBTRACTING A DESIRED AMOUNT OF BIAS TO THE INPUT SIGNAL AND/OR CHANGING THE RATIO (GAIN) RELATIONSHIP OF THE OUTPUT TO THE INPUT SPAN.

THE INPUT BIAS HAS A RANGE OF 0 TO  $\pm 100\%$  OF FULL SCALE INPUT, AND THE RATIO HAS A RANGE OF 0.1-10. AN OUTPUT BIAS OF UP TO 50% OF THE OUTPUT SPAN IS A STANDARD FEATURE.

THE RBM 98 PROVIDES STANDARD PROCESS CURRENT OR VOLTAGE SIGNALS ON THE OUTPUT WITH A MAXIMUM OF 10 mV P/P OUTPUT RIPPLE. IT OFFERS A CONVENIENT WAY OF INTERFACING RATIO STATION SIGNALS TO A COMPUTER SYSTEM OR OTHER PROCESS INSTRUMENTATION.

RECALIBRATION TO OTHER DESIRED RANGES IS ACCOMPLISHED EASILY. TEMPERATURE-STABLE, LOW-NOISE COMPONENTS PROVIDE EXCELLENT STABILITY AND NOISE IMMUNITY. THE RBM 98 EMPLOYS THE LATEST DESIGN AND COMPONENTS UTILIZING PROVEN TECHNIQUES FOR SUPERIOR RELIABILITY, ACCURACY, AND SERVICEABILITY.



### TYPICAL APPLICATIONS

- SIGNAL SCALING TO MATCH INSTRUMENT INPUT TO PROCESS RANGE
- ABSOLUTE TEMPERATURE AND PRESSURE COMPUTATION
- RATIO CONTROL

### FEATURES

- RATIO RANGE (OUTPUT SPAN DIVIDED BY INPUT SPAN):  $K=0.1$  TO 10.0
- INPUT BIAS CAPABILITY: 0 TO  $\pm 100\%$
- OUTPUT BIAS CAPABILITY: 0-50% OF SPAN
- DC CURRENT INPUTS: 4-20 mA, ETC.
- DC VOLTAGE INPUTS: 1-5 VDC, ETC.
- HIGH INPUT IMEPANCE: 10 MEGOHMS MINIMUM
- ZERO-BASED INPUTS: CURRENT AND VOLTAGE
- DC PROCESS SINGAL OUTPUTS: CURRENT AND VOLTAGE
- REPEATABILITY: 0.02% OF SPAN
- HIGH ACCURACY:  $\pm 0.1\%$  OF SPAN



