

ADTECH

95 Mt. Read Blvd # 149
Rochester, New York 14611 USA
Phone: 1.585.698.1845
Fax: 1.585.697.0445

www.adtech-inst.com

UNIVERSAL INPUT POWER SUPPLY AC TO DC OR DC TO DC- MODEL NO. IPS 2416

THE ADTECH MODEL IPS 2416 UNIVERSAL INPUT POWER SUPPLY PROVIDES AN IDEAL SOLUTION FOR POWERING TWO-WIRE AND THREE-WIRE INSTRUMENTS.

THE IPS 2416 ACCEPTS 104 VAC TO 253 VAC OR 100 VDC TO 350 VDC INPUT AND PROVIDES AN ISOLATED OUTPUT OF 24 VDC AT 350 MA DC.

IT CAN POWER UP TO (16) SIXTEEN 4-20 MA TWO-WIRE LOOPS SUCH AS ADTECH'S 100 OR 200 SERIES TRANSMITTERS OR UP TO (12) TWELVE THREE-WIRE 300 SERIES TRANSMITTERS. WHEN USED TO POWER ADTECH'S LOW POWER 300L SERIES UP TO 100 UNITS MAY BE POWERED.

THE OUTPUT IS DIODE COUPLED FACILITATING AUCTIONEERING WITH OTHER 24 VDC POWER SUPPLIES.

THE OUTPUT IS ALSO OVER VOLTAGE AND SHORT CIRCUIT PROTECTED WHICH PROVIDES POWER SUPPLY SECURITY AND HIGH LOOP INTEGRITY.

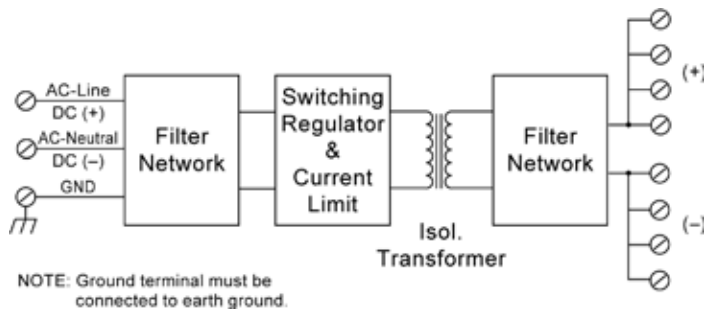
THE IPS 2416 PROVIDES INPUT-OUTPUT 4000VDC HIPOT ISOLATION.

AN LED PROVIDES INDICATION THAT THE 24 VDC OUTPUT IS PRESENT.

DIN MOUNTING IS SUPPLIED AS STANDARD. SURFACE MOUNT (OPTION H 28) IS AVAILABLE AT NO EXTRA COST. SPECIFY.

TYPICAL APPLICATIONS

- POWER TWO-WIRE TRANSMITTERS
- POWER THREE-WIRE TRANSMITTERS
- PROVIDE ISOLATED DC POWER
- PROVIDES EXCITATION POWER FOR SENSORS



FEATURES

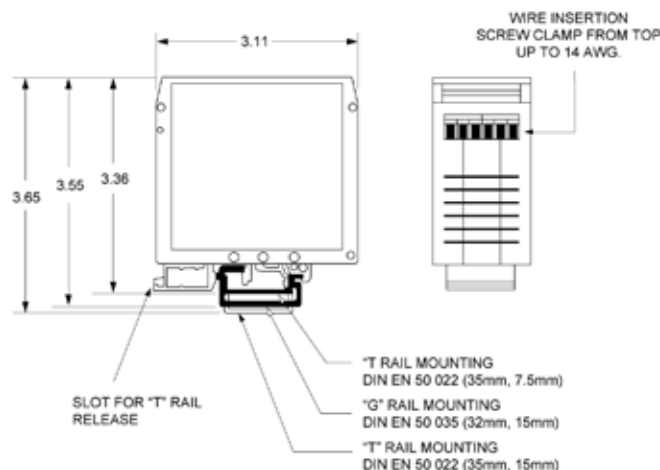
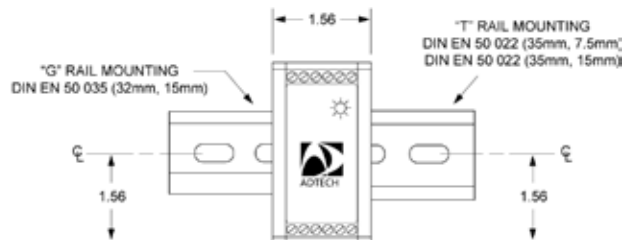
- UNIVERSAL AC OR DC INPUT
- 104 TO 253 VAC, OR 100 TO 350 VDC
- 47-440 HZ INPUT
- 24 VDC OUTPUT, DIODE COUPLED FOR EASE OF AUCTIONEERING
- OUTPUT SHORT-CIRCUIT AND OVER-VOLTAGE PROTECTED
- INPUT-OUTPUT ISOLATION 4000 VDC HIPOT



Connections/Dimensions



NOTE: The Ground terminal MUST be connected to earth ground.



INPUT / OUTPUT

INPUT POWER:
104 TO 253 VAC
47 TO 440 HZ
OR
100 TO 350 VDC

OUTPUT VOLTAGE:
24VDC $\pm 5\%$ @ 320MA MAX.

PERFORMANCE

OUTPUT REGULATION: 1.2 mV / VOLT LINE REGULATION
2.4 mV / OHM (75-750 OHM) LOAD REGULATION.

OUTPUT CURRENT LIMIT: 350 MA DC MAX.

OUTPUT AUCTIONEERING: DIODE COUPLED OUTPUT

OUTPUT OVERLOAD: INDEFINITE SHORT CIRCUIT 350 MA MAX.

OUTPUT RIPPLE: 150 mV P-P MAX

ISOLATION: INPUT/OUTPUT/HOUSING:
INPUT TO OUTPUT 4000 VDC
INPUT TO GROUND 2500 VAC
OUTPUT TO GROUND 1000 VAC

TEMPERATURE RANGE: OPERATING: -31°C TO 70 °C (-24 °F to 158 °F)
STORAGE: -40 °C TO 85 °C (-40 °F TO 185 °F)

POWER

SEE INPUT (NO SEPARATE POWER)

MECHANICAL

ELECTRICAL CLASSIFICATION: GENERAL PURPOSE MOUNTING: DIN SURFACE: (H 28) OPTIONAL NEMA 4 OR 7

CONNECTION: SCREW COMPRESSION TYPE WEIGHT: NET UNIT: 9.0 OZ (257 GRAMS)
ACCEPTS UP TO 14 AWG SHIPPING: 16.0 OZ (455 GRAMS)

OPTIONS

ORDERING INFORMATION

- MODEL NUMBER
- HOUSING AND MISCELLANEOUS OPTIONS

PLEASE REFER TO THE HOUSING AND/OR OPTION SECTION FOR MORE SPECIFIC AND DETAILED INFORMATION

OPTION NUMBER
H 15D5
H 27
H 28
H 29
H 30

DESCRIPTION
EXPLOSION PROOF: CLASS 1, GROUP B,C & D
NEMA 4 ENCLOSURE
SINGLE INSTRUMENT SURFACE MOUNTING
T 35 DIN "T" RAIL TWO FEET LONG
T 32 DIN "G" RAIL TWO FEET LONG

REPRESENTED BY:



ADTECH
95 Mt. Read Blvd # 149
Rochester, New York 14611 USA
Phone: 1.585.698.1845
Fax: 1.585.6970445

www.adtech-inst.com