



ADTECH

95 Mt. Read Blvd # 149
Rochester, New York 14611 USA
Phone: 1.585.698.1845
Fax: 1.585.697.0445

www.adtech-inst.com

300 SERIES THREE- WIRE FIELD SELECTABLE WIDE RANGING TRANSMITTERS GUIDE



FEATURES

- **TYPES OF INPUTS:** AC I/V (TRMS OR AVERAGE); FREQUENCY, MILLIVOLTS, POTENTIOMETER, RTD, DC I/V, T/C.
- **NO INTERACTION:** ZERO AND SPAN CONTROLS
- **ELEVATION/SUPPRESSION:** UP TO 100% OF RANGE
- **POWER RANGE:** 15 TO 42 VDC, 28 MA TYPICAL
- **RFI-RESISTANT**
- **TEMPERATURE COEFFICIENTS:**
ZERO = $\pm 0.007\%$ / °C OF SPAN- TYPICAL
SPAN = $\pm 0.008\%$ / C OF SPAN- TYPICAL
- **REPEATABILITY:** $\pm 0.002\%$ TYPICAL
- **BANDWIDTH:** (-3 DB) : 3.2 HZ TYPICAL
- **ISOLATION:** 1000 VDC OR 600 VAC
- **POWER SUPPLY EFFECT:** $\pm 0.005\%$ OF SPAN
- **RESPONSE TIME:** 110 MILLISECONDS TYPICAL
- **REVERSE POLARITY PROTECTION**

TYPICAL APPLICATIONS

MEASUREMENT OF :

- TEMPERATURE
- FLOW
- SPEED
- POSITION
- DISPLACEMENT
- ROTATION
- AC CURRENT
- AC VOLTAGE
- DC SIGNALS

AC INPUT ACX 340 (ISOLATED)	FREQUENCY INPUT FDT 350 (ISOLATED)	MV INPUT MVT 306 (NON-ISOLATED)																																													
INPUT/OUTPUT	INPUT/OUTPUT	INPUT/OUTPUT																																													
<p>INPUT SIGNALS AC CURRENT: ANY 0-1 TO 0-5 AMPS AC, BURDEN LESS THAN 0.5 VA (SELECTABLE AVERAGE OR TRUE RMS RESPONDING) AC VOLTAGE: ANY 0-0.25 TO 0-250 VAC, BURDEN LESS THAN 0.5 VA (SELECTABLE AVERAGE OR TRUE RMS RESPONDING) (4 MAJOR RANGES 0.25, 2.5, 25, 250) ZERO ADJUSTMENT: ±5% NOMINAL OF SPAN COURSE SPAN ADJUSTMENT: 100% OF A MAJOR RANGE (VOLTAGE ONLY) FINE SPAN ADJUSTMENT: ±5% NOMINAL OF MAJOR RANGE (±1 AMP FOR CURRENT INPUT) INPUT FREQUENCY RANGE: 25-1,000 HZ INPUT OVERLOAD CAPABILITY: 200% CONTINUOUS</p> <p>OUTPUT SIGNALS: 4-20 mA DC; 0-20 mA DC; 0-10 mA DC; 0-1 mA DC; 1-5 VDC; 0-5 VDC; 0-10 VDC OUTPUT LOOP DRIVE CAPABILITY $R \text{ (OHM)} = \frac{(V \text{ SUPPLY} - 5)}{I \text{ OUT MAX. MA}}$ V SUPPLY: 15 TO 42 VDC</p> <table border="1" data-bbox="120 743 565 831"> <thead> <tr> <th>I out</th> <th colspan="4">4-20 mA or 0-20 mA</th> </tr> </thead> <tbody> <tr> <td>V supply</td> <td>15</td> <td>24</td> <td>36</td> <td>42</td> </tr> <tr> <td>R(ohms)</td> <td>500</td> <td>950</td> <td>1550</td> <td>1850</td> </tr> </tbody> </table>	I out	4-20 mA or 0-20 mA				V supply	15	24	36	42	R(ohms)	500	950	1550	1850	<p>INPUT SIGNALS VOLTAGE (AMPLITUDE): 10 mV-100 VRMS (0-5 KHZ); 50 mV TO 50 VRMS (5 KHZ TO 30 KHZ) CONTACT: DRY, 2 mA @ 24 VAC RATING FREQUENCY RANGE: 0-30 HZ TO 0-30 KHZ FULL SCALE MAJOR RANGE SWITCH: PROVIDES 11 DISCRETE RANGES WITH THE ZERO CONTROL ADJUSTABLE 10% OF OUTPUT AND SPAN CONTROL ADJUSTABLE FROM 50% TO 100% OF THE MAJOR RANGE SELECTED</p> <p>OUTPUT SIGNAL: 4-20 mA DC; 0-20 mA DC; 0-10 mA DC; 0-1 mA DC; 1-5 VDC; 0-5 VDC; 0-10 VDC OUTPUT LOOP DRIVE CAPABILITY: $R \text{ (OHM)} = \frac{(V \text{ SUPPLY} - 5)}{I \text{ OUT MAX. MA}}$ V SUPPLY: 15 TO 42 VDC</p> <table border="1" data-bbox="597 743 1042 831"> <thead> <tr> <th>I out</th> <th colspan="4">4-20 mA or 0-20 mA</th> </tr> </thead> <tbody> <tr> <td>V supply</td> <td>15</td> <td>24</td> <td>36</td> <td>42</td> </tr> <tr> <td>R(ohms)</td> <td>500</td> <td>950</td> <td>1550</td> <td>1850</td> </tr> </tbody> </table>	I out	4-20 mA or 0-20 mA				V supply	15	24	36	42	R(ohms)	500	950	1550	1850	<p>INPUT SIGNALS 0.5 mV TO 100 mV SPAN (Z IN GREATER THAN 10 MEGOHMS) ZERO SUPPRESSION: UP TO 100% OF THE MAJOR RANGE SELECTED IN 16 DIVISIONS OF THE COARSE ZERO ADJUSTMENT SWITCH SPAN: FROM 0.5 mV TO 100 mV FULL SCALE SWITCH SELECTABLE. THE COARSE SPAN SWITCH ADDS 16 DIVISIONS TO EACH MAJOR RANGE.</p> <p>OUTPUT SIGNAL: 4-20 mA DC; 0-20 mA DC; 0-10 mA DC; 0-1 mA DC; 1-5 VDC; 0-5 VDC; 0-10 VDC OUTPUT LOOP DRIVE CAPABILITY $R \text{ (OHM)} = \frac{(V \text{ SUPPLY} - 5)}{I \text{ OUT MAX. MA}}$ V SUPPLY: 15 TO 42 VDC</p> <table border="1" data-bbox="1065 743 1510 831"> <thead> <tr> <th>I out</th> <th colspan="4">4-20 mA or 0-20 mA</th> </tr> </thead> <tbody> <tr> <td>V supply</td> <td>15</td> <td>24</td> <td>36</td> <td>42</td> </tr> <tr> <td>R(ohms)</td> <td>500</td> <td>950</td> <td>1550</td> <td>1850</td> </tr> </tbody> </table>	I out	4-20 mA or 0-20 mA				V supply	15	24	36	42	R(ohms)	500	950	1550	1850
I out	4-20 mA or 0-20 mA																																														
V supply	15	24	36	42																																											
R(ohms)	500	950	1550	1850																																											
I out	4-20 mA or 0-20 mA																																														
V supply	15	24	36	42																																											
R(ohms)	500	950	1550	1850																																											
I out	4-20 mA or 0-20 mA																																														
V supply	15	24	36	42																																											
R(ohms)	500	950	1550	1850																																											
<p>PERFORMANCE</p> <p>* CALIBRATED ACCURACY: ±0.25% * INDEPENDENT LINEARITY: ±0.15% MAXIMUM, ±0.06% TYPICAL REPEATABILITY: ±0.005% MAX., ±0.002% TYP. ZERO TC: ±0.01% OF SPAN MAX /°C SPAN TC: ±0.02% OF SPAN MAX /°C LOAD EFFECT: ±0.005% ZERO TO FULL LOAD OUTPUT RIPPLE: 10 mV P/P MAXIMUM RESPONSE TIME: 350 MILLISECONDS (10 TO 90% STEP RESPONSE) AVERAGE RESPONDING BANDWIDTH: (-3 DB): 1 HZ TEMPERATURE RANGE: -25° TO 185°F (-31° TO 85°C) OPERATING; -40° TO 200°F (-40° TO 93°C) STORAGE POWER SUPPLY EFFECT: ±0.005% OF SPAN, MAX. ISOLATION: INPUT/OUTPUT/CASE: 1000VDC, 600 VAC NOTE: ALL ACCURACIES ARE GIVEN AS A % OF SPAN.</p>	<p>PERFORMANCE</p> <p>* CALIBRATED ACCURACY: ±0.1% * INDEPENDENT LINEARITY: ±0.02% MAXIMUM, ±0.01% TYPICAL REPEATABILITY: ±0.005% MAX., ±0.002% TYP. ZERO TC: ±0.01% OF SPAN MAX /°C SPAN TC: ±0.01% OF SPAN MAX /°C LOAD EFFECT: ±0.005% ZERO TO FULL LOAD OUTPUT RIPPLE: 10 mV P/P MAXIMUM RESPONSE TIME: 350 MILLISECONDS (10 TO 90% STEP RESPONSE) BANDWIDTH: (-3 DB): 1 HZ TEMPERATURE RANGE: -25° TO 185°F (-31° TO 85°C) OPERATING; -40° TO 200°F (-40° TO 93°C) STORAGE POWER SUPPLY EFFECT: ±0.005% OF SPAN, MAX. ISOLATION: INPUT/OUTPUT/CASE: 1000VDC OR 600 VAC NOTE: ALL ACCURACIES ARE GIVEN AS A % OF SPAN.</p>	<p>PERFORMANCE</p> <p>* CALIBRATED ACCURACY: ±0.1% * INDEPENDENT LINEARITY: ±0.01% MAXIMUM ±0.006% TYPICAL (14-BIT DIGITAL LINEARITY) REPEATABILITY: ±0.005% MAX., ±0.002% TYP. ZERO TC: ZERO TC: ± $\frac{0.025}{\text{INPUT SPAN (MV) \% OF SPAN MAX / °C}}$ + 0.005 SPAN TC: ±0.008% OF SPAN MAX/°C LOAD EFFECT: ±0.005% ZERO TO FULL LOAD OUTPUT RIPPLE: 10 mV P/P MAXIMUM RESPONSE TIME: 110 MILLISECONDS (10 TO 90% STEP RESPONSE) BANDWIDTH: (-3 DB): 3.2 HZ TEMPERATURE RANGE: -25° TO 185°F (-31° TO 85°C) OPERATING; -40° TO 200°F (-40° TO 93°C) STORAGE POWER SUPPLY EFFECT: ±0.005% OF SPAN MAX. NOTE: ALL ACCURACIES ARE GIVEN AS A % OF SPAN.</p>																																													
<p>POWER</p>	<p>POWER</p>	<p>POWER</p>																																													
<p>15 TO 42 VDC; 28 mA TYPICAL; 33 mA MAXIMUM</p>	<p>15 TO 42 VDC; 28 mA TYPICAL; 33 mA MAXIMUM</p>	<p>15 TO 42 VDC; 28 mA TYPICAL; 33 mA MAXIMUM</p>																																													
<p>MECHANICAL</p> <p>ELECTRICAL CLASSIFICATION: GENERAL PURPOSE CONNECTION: SCREW, COMPRESSION TYPE, ACCEPTS UP TO 14 AWG CONTROLS: ONE 16-POSITION ROTARY SWITCH FOR COARSE SPAN; TWO MULTITURN POTENTIOMETERS FOR FINE ZERO AND SPAN CONTROL. JUMPERS FOR MEASUREMENT RESPONSE TYPE TRMS OR AVERAGE AND FOR INPUT RANGES AND OUTPUT SELECTION MOUNTING: SURFACE, SNAP-TRACK, DIN RAILS, OR NEMA 4, OR 7 WEIGHT: NET UNIT: 4 OZ. (115 GRAMS); SHIPPING: NOMINAL 7 OZ. (200 GRAMS)</p>	<p>MECHANICAL</p> <p>ELECTRICAL CLASSIFICATION: GENERAL PURPOSE CONNECTION: SCREW, COMPRESSION TYPE, ACCEPTS UP TO 14 AWG CONTROLS: ONE 16-POSITION ROTARY SWITCH FOR MAJOR RANGE; FOUR MULTITURN POTENTIOMETERS FOR ZERO, SPAN, HYSTERESIS AND SENSITIVITY AND JUMPERS FOR OUTPUT SELECTION MOUNTING: SURFACE, SNAP-TRACK, DIN RAILS, OR NEMA 4 OR 7 WEIGHT: NET UNIT: 4 OZ. (115 GRAMS); SHIPPING: NOMINAL 7 OZ. (200 GRAMS)</p>	<p>MECHANICAL</p> <p>ELECTRICAL CLASSIFICATION: GENERAL PURPOSE CONNECTION: SCREW, COMPRESSION TYPE, ACCEPTS UP TO 14 AWG CONTROLS: TWO 16-POSITION ROTARY SWITCHES FOR COARSE ZERO AND SPAN CONTROL; TWO MULTITURN POTENTIOMETERS FINE ZERO, AND SPAN CONTROL AND JUMPERS FOR MAJOR RANGE AND ZERO ELEVATION MOUNTING: SURFACE, SNAP-TRACK, DIN RAILS, OR NEMA 4, OR 7 WEIGHT: NET UNIT: 4 OZ. (115 GRAMS); SHIPPING: NOMINAL 7 OZ. (200 GRAMS)</p>																																													
<p>OPTIONS</p> <p>H 15 D, H 25- H 30 MOUNTING LOOP POWERED INDICATOR LPI 40 D</p>	<p>OPTIONS</p> <p>H 15 D, H 25- H 30 MOUNTING LOOP POWERED INDICATOR LPI 40 D</p>	<p>OPTIONS</p> <p>H 15 D, H 25- H 30 MOUNTING LOOP POWERED INDICATOR LPI 40 D</p>																																													

MV INPUT MVT 326 (ISOLATED)	POTENTIOMETER INPUT PTT 373 (NON-ISOLATED) PTT 374 (ISOLATED)	RTD INPUT RBT 374 (NON-ISOLATED)																																													
INPUT/OUTPUT	INPUT/OUTPUT	INPUT/OUTPUT																																													
<p>INPUT SIGNALS 0.5 mV TO 100 mV SPAN (Z IN GREATER THAN 10 MEGOHMS) ZERO SUPPRESSION: UP TO 100% OF THE MAJOR RANGE SELECTED IN 16 DIVISIONS OF THE COARSE ZERO ADJUSTMENT SWITCH SPAN: FROM 0.5 mV TO 100 mV FULL SCALE SWITCH SELECTABLE. THE COARSE SPAN SWITCH ADDS 16 DIVISIONS TO EACH MAJOR RANGE.</p> <p>OUTPUT SIGNAL: 4-20 mA DC; 0-20 mA DC; 0-10 mA DC; 0-1 mA DC; 1-5 VDC; 0-5 VDC; 0-10 VDC OUTPUT LOOP DRIVE CAPABILITY</p> $R \text{ (OHM)} = \frac{(V \text{ SUPPLY} - 5) 1.000}{I \text{ OUT MAX. MA}}$ <p>V SUPPLY = 15 TO 42 VDC</p> <table border="1" data-bbox="126 747 565 831"> <thead> <tr> <th>I out</th> <th colspan="4">4-20 mA or 0-20 mA</th> </tr> </thead> <tbody> <tr> <td>V supply</td> <td>15</td> <td>24</td> <td>36</td> <td>42</td> </tr> <tr> <td>R(ohms)</td> <td>500</td> <td>950</td> <td>1550</td> <td>1850</td> </tr> </tbody> </table>	I out	4-20 mA or 0-20 mA				V supply	15	24	36	42	R(ohms)	500	950	1550	1850	<p>INPUT SIGNALS POTENTIOMETERS/SLIDEWIRE SENSORS: 3 WIRE 50 OHM TO 100 K OHM RESISTANCE SPANS STANDARD ZERO SUPPRESSION: UP TO 100% OF THE POTENTIOMETER ROTATION SELECTED IN 16 DIVISIONS OF THE COARSE ZERO ADJUSTMENT SWITCH SPAN: FROM 0-100% FULL SCALE SWITCH SELECTABLE. THE COARSE SPAN SWITCH ADDS 16 RANGE DIVISIONS</p> <p>OUTPUT SIGNAL: 4-20 mA DC; 0-20 mA DC; 0-10 mA DC; 0-1 mA DC; 1-5 VDC; 0-5 VDC; 0-10 VDC OUTPUT LOOP DRIVE CAPABILITY</p> $R \text{ (OHM)} = \frac{(V \text{ SUPPLY} - 5) 1.000}{I \text{ OUT MAX. MA}}$ <p>V SUPPLY = 15 TO 42 VDC</p> <table border="1" data-bbox="591 747 1029 831"> <thead> <tr> <th>I out</th> <th colspan="4">4-20 mA or 0-20 mA</th> </tr> </thead> <tbody> <tr> <td>V supply</td> <td>15</td> <td>24</td> <td>36</td> <td>42</td> </tr> <tr> <td>R(ohms)</td> <td>500</td> <td>950</td> <td>1550</td> <td>1850</td> </tr> </tbody> </table>	I out	4-20 mA or 0-20 mA				V supply	15	24	36	42	R(ohms)	500	950	1550	1850	<p>INPUT SIGNALS RESISTANCE BULB SENSOR: 2, 3, OR 4 WIRE TYPES 1 TO 400 OHM RESISTANCE SPANS: STANDARD ZERO SUPPRESSION: UP TO 100% OF THE MAJOR RANGE SELECTED IN 16 DIVISIONS OF THE COARSE ZERO ADJUSTMENT SWITCH. SPAN: FROM 0-100% FULL SCALE SWITCH SELECTABLE. THE COARSE SPAN SWITCH ADDS 16 DIVISIONS TO EACH MAJOR RANGE. LEAD COMPENSATION: 1% MAXIMUM ERROR, OF DIFFERENTIAL LEAD RESISTANCE.</p> <p>OUTPUT SIGNAL: 4-20 mA DC; 0-20 mA DC; 0-10 mA DC; 0-1 mA DC; 1-5 VDC; 0-5 VDC; 0-10 VDC OUTPUT LOOP DRIVE CAPABILITY</p> $R \text{ (OHM)} = \frac{(V \text{ SUPPLY} - 5) 1.000}{I \text{ OUT MAX. MA}}$ <p>V SUPPLY = 15 TO 42 VDC</p> <table border="1" data-bbox="1055 747 1494 831"> <thead> <tr> <th>I out</th> <th colspan="4">4-20 mA or 0-20 mA</th> </tr> </thead> <tbody> <tr> <td>V supply</td> <td>15</td> <td>24</td> <td>36</td> <td>42</td> </tr> <tr> <td>R(ohms)</td> <td>500</td> <td>950</td> <td>1550</td> <td>1850</td> </tr> </tbody> </table>	I out	4-20 mA or 0-20 mA				V supply	15	24	36	42	R(ohms)	500	950	1550	1850
I out	4-20 mA or 0-20 mA																																														
V supply	15	24	36	42																																											
R(ohms)	500	950	1550	1850																																											
I out	4-20 mA or 0-20 mA																																														
V supply	15	24	36	42																																											
R(ohms)	500	950	1550	1850																																											
I out	4-20 mA or 0-20 mA																																														
V supply	15	24	36	42																																											
R(ohms)	500	950	1550	1850																																											
<p>PERFORMANCE</p> <p>* CALIBRATED ACCURACY: ±0.1% INDEPENDENT LINEARITY: ±0.01% MAXIMUM. ±0.006% TYPICAL (14-BIT DIGITAL LINEARITY) REPEATABILITY: ±0.005% MAX., ±0.002% TYP. ZERO TC: ± $\frac{0.025}{\text{INPUT SPAN (MV) \% OF SPAN MAX/°C}}$ + 0.005 SPAN TC: ±0.008% OF SPAN MAX/°C LOAD EFFECT: ±0.005% ZERO TO FULL LOAD OUTPUT RIPPLE: 10 mV P/P MAXIMUM RESPONSE TIME: 110 MILLISECONDS (10 TO 90% STEP RESPONSE) BANDWIDTH: (-3 DB): 3.2 HZ TEMPERATURE RANGE: -25° TO 185°F (-31° TO 85°C) OPERATING; -40° TO 200°F (-40° TO 93°C) STORAGE POWER SUPPLY EFFECT: ±0.005% OF SPAN MAX. ISOLATION: INPUT/OUTPUT/CASE: 1000 VDC, OR 600 VAC NOTE: ALL ACCURACIES ARE GIVEN AS A % OF SPAN.</p>	<p>PERFORMANCE</p> <p>* CALIBRATED ACCURACY: ±0.1% INDEPENDENT LINEARITY: ±0.01% MAXIMUM. ±0.006% TYPICAL (14-BIT DIGITAL LINEARITY) REPEATABILITY: ±0.005% MAX., ±0.002% TYP. ZERO TC: ±0.007% OF SPAN SPAN TC: ±0.010% OF SPAN MAX/°C LOAD EFFECT: ±0.005% ZERO TO FULL LOAD OUTPUT RIPPLE: 10 mV P/P MAXIMUM RESPONSE TIME: 110 MILLISECONDS (10 TO 90% STEP RESPONSE) BANDWIDTH: (-3 DB): 3.2 HZ TEMPERATURE RANGE: -25° TO 185°F (-31° TO 85°C) OPERATING; -40° TO 200°F (-40° TO 93°C) STORAGE POWER SUPPLY EFFECT: ±0.005% OF SPAN MAX. FOR PTT-374 ISOLATION: INPUT/OUTPUT/CASE: 1000 VDC, OR 600 VAC NOTE: ALL ACCURACIES ARE GIVEN AS A % OF SPAN</p>	<p>PERFORMANCE</p> <p>* CALIBRATED ACCURACY: ±0.1% *INDEPENDENT LINEARITY: ±0.025% MAX., ±0.01% TYPICAL CONFORMANCE TO RTD CURVES: 0.15% MAX. REPEATABILITY: ±0.005% MAX., ±0.002% TYP. ZERO TC: ± $\frac{0.05}{\text{INPUT SPAN (OHMS) \% OF SPAN/°C MAX.}}$ + 0.005 SPAN TC: ±0.008% OF SPAN MAX/°C LOAD EFFECT: ±0.005% ZERO TO FULL LOAD OUTPUT RIPPLE: 10 mV P/P MAXIMUM RESPONSE TIME: 110 MILLISECONDS (10 TO 90% STEP RESPONSE) BANDWIDTH: (-3 DB): 3.2 HZ TEMPERATURE RANGE: -25° TO 185°F (-31° TO 85°C) OPERATING; -40° TO 200°F (-40° TO 93°C) STORAGE POWER SUPPLY EFFECT: ±0.005% OF SPAN, MAX. NOTE: ALL ACCURACIES ARE GIVEN AS A % OF SPAN.</p>																																													
POWER	POWER	POWER																																													
15 TO 42 VDC; 28 mA TYPICAL; 33 mA MAXIMUM	15 TO 42 VDC; 28 mA TYPICAL; 33 mA MAXIMUM	15 TO 42 VDC; 28 mA TYPICAL; 33 mA MAXIMUM																																													
MECHANICAL	MECHANICAL	MECHANICAL																																													
<p>ELECTRICAL CLASSIFICATION: GENERAL PURPOSE CONNECTION: SCREW, COMPRESSION TYPE, ACCEPTS UP TO 14 AWG CONTROLS: TWO 16-POSITION ROTARY SWITCHES FOR COARSE ZERO AND SPAN CONTROL; TWO MULTITURN POTENTIOMETERS FOR FINE ZERO, AND SPAN CONTROL AND JUMPERS FOR MAJOR RANGE AND ZERO ELEVATION AND OUTPUT SELECTION MOUNTING: SURFACE, SNAP-TRACK, DIN RAILS, OR NEMA 4 OR 7 WEIGHT: NET UNIT: 4 OZ. (115 GRAMS); SHIPPING: NOMINAL 7 OZ (200 GRAMS)</p>	<p>ELECTRICAL CLASSIFICATION: GENERAL PURPOSE CONNECTION: SCREW, COMPRESSION TYPE, ACCEPTS UP TO 14 AWG CONTROLS: TWO 16-POSITION ROTARY SWITCHES FOR COARSE ZERO AND SPAN CONTROL; TWO MULTITURN POTENTIOMETERS FINE ZERO, AND SPAN CONTROL AND JUMPERS FOR OUTPUT SELECTION MOUNTING: SURFACE, SNAP-TRACK, DIN RAILS, OR NEMA 4 OR 7 WEIGHT: NET UNIT: 4 OZ. (115 GRAMS); SHIPPING: NOMINAL 7 OZ (200 GRAMS)</p>	<p>ELECTRICAL CLASSIFICATION: GENERAL PURPOSE CONNECTION: SCREW, COMPRESSION TYPE, ACCEPTS UP TO 14 AWG CONTROLS: TWO 16-POSITION ROTARY SWITCHES FOR COARSE ZERO AND SPAN CONTROL; TWO MULTITURN POTENTIOMETERS FOR FINE ZERO AND SPAN CONTROL AND JUMPERS FOR RTD TYPE, MAJOR RANGE, INPUT ZERO ELEVATION AND OUTPUT SELECTION MOUNTING: SURFACE, SNAP-TRACK, DIN, OR NEMA 4 OR 7 WEIGHT: NET UNIT: 4 OZ. (115 GRAMS); SHIPPING: NOMINAL 7 OZ (200 GRAMS)</p>																																													
OPTIONS	OPTIONS	OPTIONS																																													
<p>H 15 D, H 25- H 30 MOUNTING LOOP POWERED INDICATOR LPI 40 D</p>	<p>H 15 D, H 25- H 30 MOUNTING LOOP POWERED INDICATOR LPI 40 D</p>	<p>H 15 D, H 25- H 30 MOUNTING LOOP POWERED INDICATOR LPI 40 D</p>																																													

RTD INPUT RBT 372 (ISOLATED)	I/V/MV INPUT SCT 302 (ISOLATED)	T/C INPUT TCT 326 (ISOLATED)																																													
INPUT/OUTPUT	INPUT/OUTPUT	INPUT/OUTPUT																																													
<p>INPUT SIGNALS RESISTANCE BULB SENSOR: 2, 3, OR 4 WIRE TYPES 1 TO 400 OHM RESISTANCE SPANS: STANDARD ZERO SUPPRESSION: UP TO 100% OF THE MAJOR RANGE SELECTED IN 16 DIVISIONS OF THE COARSE ZERO ADJUSTMENT SWITCH. SPAN: FROM 0-100% FULL SCALE SWITCH SELECTABLE. THE COARSE SPAN SWITCH ADDS 16 DIVISIONS TO EACH MAJOR RANGE. LEAD COMPENSATION: 1% MAXIMUM ERROR OF DIFFERENTIAL LEAD RESISTANCE</p> <p>OUTPUT SIGNALS: 4-20 mA DC, 0-20 mA DC, 0-10 mA DC, 0-1 mA DC, 1-5 VDC, 0-5 VDC, 0-10 VDC OUTPUT LOOP DRIVE CAPABILITY</p> <p>$R \text{ (OHM)} = \frac{V \text{ SUPPLY} - 5}{I \text{ OUT MAX. MA}} \cdot 1,000$</p> <p>V SUPPLY = 15 TO 42 VDC</p> <table border="1" data-bbox="126 762 565 842"> <thead> <tr> <th>I out</th> <th colspan="4">4-20 mA or 0-20 mA</th> </tr> </thead> <tbody> <tr> <td>V supply</td> <td>15</td> <td>24</td> <td>36</td> <td>42</td> </tr> <tr> <td>R(ohms)</td> <td>500</td> <td>950</td> <td>1550</td> <td>1850</td> </tr> </tbody> </table>	I out	4-20 mA or 0-20 mA				V supply	15	24	36	42	R(ohms)	500	950	1550	1850	<p>INPUT SIGNALS 4-20 mA DC (Z IN 10 OHMS) 0-20 OR ± 20 mA DC (Z IN 10 OHMS) 0-10 OR ±10 mA DC (Z IN 20 OHMS) 0-1 OR ±1 mA DC (Z IN 200 OHMS) 1-5 VDC (Z IN 1 MEGOHM) 0-5 OR ±VDC (Z IN 1 MEGOHM) 0-10 OR ±10 VDC (Z IN 1 MEGOHM) ANY UNIPOLAR OR BIPOLAR VOLTAGE FROM 100 MV TO 200 VDC. (OPTION 1 14) ZERO SUPPRESSION: ±10% SPAN ADJUSTMENT: ±10%</p> <p>OUTPUT SIGNALS: 4-20 mA DC, 0-20 mA DC, 0-10 mA DC, 0-1 mA DC, 1-5 VDC, 0-5 VDC, 0-10 VDC OUTPUT LOOP DRIVE CAPABILITY</p> <p>$R \text{ (OHM)} = \frac{V \text{ SUPPLY} - 5}{I \text{ OUT MAX. MA}} \cdot 1,000$</p> <p>V SUPPLY = 15 TO 42 VDC</p> <table border="1" data-bbox="591 762 1029 842"> <thead> <tr> <th>I out</th> <th colspan="4">4-20 mA or 0-20 mA</th> </tr> </thead> <tbody> <tr> <td>V supply</td> <td>15</td> <td>24</td> <td>36</td> <td>42</td> </tr> <tr> <td>R(ohms)</td> <td>500</td> <td>950</td> <td>1550</td> <td>1850</td> </tr> </tbody> </table>	I out	4-20 mA or 0-20 mA				V supply	15	24	36	42	R(ohms)	500	950	1550	1850	<p>INPUT SIGNALS *THERMOCOUPLE: ALL STANDARD ISA CALIBRATION (B, E, J, K, R, S, T), -20 MV TO 100 MV SPANS (Z IN GREATER THAN 1 MEGOHM) ZERO SUPPRESSION: UP TO 100% OF THE MAJOR RANGE SELECTED IN 16 DIVISIONS OF THE COARSE ZERO ADJUSTMENT SWITCH. SPAN: FROM 0.5 MV TO 100 MV FULL SCALE SWITCH SELECTABLE. THE COARSE SPAN SWITCH ADDS 16 DIVISIONS TO EACH MAJOR RANGE. UPSCALE/DOWNSCALE BURNOUT PROTECTION: STANDARD, FIELD SELECTABLE BURNOUT CURRENT: 0.1 MICRO AMPERES-NOMINAL *CONSULT FACTORY FOR OTHER T/C TYPES.</p> <p>OUTPUT SIGNALS: 4-20 mA DC, 0-20 mA DC, 0-10 mA DC, 0-1 mA DC, 1-5 VDC, 0-5 VDC, 0-10 OR ±10 VDC OUTPUT LOOP DRIVE CAPABILITY</p> <p>$R \text{ (OHM)} = \frac{V \text{ SUPPLY} - 5}{I \text{ OUT MAX. MA}} \cdot 1,000$</p> <p>V SUPPLY = 15 TO 42 VDC</p> <table border="1" data-bbox="1055 762 1494 842"> <thead> <tr> <th>I out</th> <th colspan="4">4-20 mA or 0-20 mA</th> </tr> </thead> <tbody> <tr> <td>V supply</td> <td>15</td> <td>24</td> <td>36</td> <td>42</td> </tr> <tr> <td>R(ohms)</td> <td>500</td> <td>950</td> <td>1550</td> <td>1850</td> </tr> </tbody> </table>	I out	4-20 mA or 0-20 mA				V supply	15	24	36	42	R(ohms)	500	950	1550	1850
I out	4-20 mA or 0-20 mA																																														
V supply	15	24	36	42																																											
R(ohms)	500	950	1550	1850																																											
I out	4-20 mA or 0-20 mA																																														
V supply	15	24	36	42																																											
R(ohms)	500	950	1550	1850																																											
I out	4-20 mA or 0-20 mA																																														
V supply	15	24	36	42																																											
R(ohms)	500	950	1550	1850																																											
<p>PERFORMANCE</p> <p>* CALIBRATED ACCURACY: ±0.1% *INDEPENDENT LINEARITY: ±0.025% MAXIMUM, ±0.01% TYPICAL CONFORMANCE TO RTD CURVES: 0.15% MAX. REPEATABILITY: ±0.005% MAX., ±0.002% TYP. ZERO TC: $\pm \frac{0.05}{\text{INPUT SPAN (OHMS)}} + 0.005$ % OF SPAN/ °C MAX. SPAN TC: ±0.008% OF SPAN MAX. / °C LOAD EFFECT: ±0.005% ZERO TO FULL LOAD OUTPUT RIPPLE: 10 MV P/P MAXIMUM RESPONSE TIME: 110 MILLISECONDS (10 TO 90% STEP RESPONSE) BANDWIDTH: (-3 DB): 3.2 HZ TEMPERATURE RANGE: -25° TO 185°F (-31° TO 85°C) OPERATING; -40° TO 200°F (-40° TO 93°C) STORAGE POWER SUPPLY EFFECT: ±0.005% OF SPAN MAX. ISOLATION: INPUT/OUTPUT/CASE: 1000VDC, 600 VAC NOTE: ALL ACCURACIES ARE GIVEN AS A % OF SPAN.</p>	<p>PERFORMANCE</p> <p>* CALIBRATED ACCURACY: ±0.1% *INDEPENDENT LINEARITY: ±0.025% MAXIMUM, ±0.01% TYPICAL REPEATABILITY: ±0.005% MAX., ±0.002% TYP. ZERO TC: ±0.007% OF SPAN MAX. / °C SPAN TC: ±0.008% OF SPAN MAX. / °C LOAD EFFECT: ±0.005% ZERO TO FULL LOAD OUTPUT RIPPLE: 10 MV P/P MAXIMUM RESPONSE TIME: 110 MILLISECONDS (10 TO 90% STEP RESPONSE) BANDWIDTH: (-3 DB): 3.2 HZ TEMPERATURE RANGE: -25° TO 185°F (-31° TO 85°C) OPERATING; -40° TO 200°F (-40° TO 93°C) STORAGE POWER SUPPLY EFFECT: ±0.005% OF SPAN MAX. ISOLATION: INPUT/OUTPUT/CASE: 1000 VDC, 600 VAC NOTE: ALL ACCURACIES ARE GIVEN AS A % OF SPAN.</p>	<p>PERFORMANCE</p> <p>* CALIBRATED ACCURACY: ±0.1% (OF MV INPUT) *INDEPENDENT LINEARITY: ±0.01% MAXIMUM, ±0.006% TYPICAL (14-BIT DIGITAL LINEARITY) (OF MILLIVOLT INPUT) REPEATABILITY: ±0.005% MAX., ±0.002% TYP. ZERO TC: $\pm \frac{0.025}{\text{INPUT SPAN (MV)}} + 0.007$ % OF SPAN/ °C MAX. SPAN TC: ±0.008% OF SPAN MAX. / °C LOAD EFFECT: ±0.005% ZERO TO FULL LOAD OUTPUT RIPPLE: 10 MV P/P MAXIMUM RESPONSE TIME: 110 MILLISECONDS (10 TO 90% STEP RESPONSE) BANDWIDTH: (-3 DB): 3.2 HZ TEMPERATURE RANGE: -25° TO 185°F (-31° TO 85°C) OPERATING; -40° TO 200°F (-40° TO 93°C) STORAGE POWER SUPPLY EFFECT: ±0.005% OF SPAN, MAX. ISOLATION: INPUT/OUTPUT/CASE: 1000 VDC, 600 VAC COLD JUNCTION COMPENSATION ERROR: 1.5 °C MAX (0 TO 50 °C) NOTE: ALL ACCURACIES ARE GIVEN AS A % OF SPAN.</p>																																													
<p>POWER</p>	<p>POWER</p>	<p>POWER</p>																																													
<p>15 TO 42 VDC; 28 mA TYPICAL; 33 mA MAXIMUM</p>	<p>15 TO 42 VDC; 28 mA TYPICAL; 33 mA MAXIMUM</p>	<p>15 TO 42 VDC; 28 mA TYPICAL; 33 mA MAXIMUM</p>																																													
<p>MECHANICAL</p>	<p>MECHANICAL</p>	<p>MECHANICAL</p>																																													
<p>ELECTRICAL CLASSIFICATION: GENERAL PURPOSE CONNECTION: SCREW, COMPRESSION TYPE, ACCEPTS UP TO 14 AWG CONTROLS: TWO 16 POSITION ROTARY SWITCHES FOR COARSE ZERO AND SPAN CONTROL; TWO MULTITURN POTENTIOMETERS FOR FINE ZERO AND SPAN CONTROL AND JUMPERS FOR RTD TYPE; MAJOR RANGE, INPUT ZERO ELEVATION AND OUTPUT SELECTION MOUNTING: DIN RAILS, SURFACE, SNAP TRACK, OR NEMA 4 OR 7 WEIGHT: NET UNIT: 4 OZ. (115 GRAMS); SHIPPING: NOMINAL 7 OZ. (200 GRAMS)</p>	<p>ELECTRICAL CLASSIFICATION: GENERAL PURPOSE CONNECTION: SCREW, COMPRESSION TYPE, ACCEPTS UP TO 14 AWG CONTROLS: 8 JUMPERS FOR RANGES, TWO MULTITURN POTENTIOMETERS FOR ZERO AND SPAN MOUNTING; DIN RAILS, SURFACE, SNAP TRACK, OR NEMA 4 OR 7 WEIGHT: NET UNIT: 4 OZ. (115 GRAMS); SHIPPING: NOMINAL 7 OZ. (200 GRAMS)</p>	<p>ELECTRICAL CLASSIFICATION: GENERAL PURPOSE CONNECTION: SCREW, COMPRESSION TYPE, ACCEPTS UP TO 14 AWG CONTROLS: TWO 16 POSITION ROTARY SWITCHES FOR COARSE ZERO AND SPAN CONTROL; TWO MULTITURN POTENTIOMETERS FOR FINE ZERO AND SPAN CONTROL AND JUMPERS FOR T/C TYPE MAJOR RANGE , INPUT ZERO ELEVATION AND OUTPUT SELECTION MOUNTING: DIN RAILS, SURFACE, SNAP TRACK, OR NEMA 4 OR 7 WEIGHT: NET UNIT: 4 OZ. (115 GRAMS); SHIPPING: NOMINAL 7 OZ. (200 GRAMS)</p>																																													
<p>OPTIONS</p>	<p>OPTIONS</p>	<p>OPTIONS</p>																																													
<p>H 15 D, H 25 - H 30 LPI 40 D</p> <p>MOUNTING LOOP POWERED INDICATOR</p>	<p>H 15 D, H 25 - H 30 LPI 40 D</p> <p>I 14</p> <p>MOUNTING LOOP POWERED INDICATOR VOLTAGE / CURRENT INPUTS</p>	<p>H 15 D, H 25 - H 30 LPI 40 D</p> <p>MOUNTING LOOP POWERED INDICATOR</p>																																													

THE ADTECH 300 SERIES THREE-WIRE TRANSMITTERS PROVIDE MOUNTING EFFICIENCY AND EASE OF WIRING IN A COMPACT DIN PACKAGE. THEIR SMALL SIZE MAKES THEM IDEAL REPLACEMENTS FOR THE TYPICAL POWERED TRANSMITTER.

THE UNITS CONVERT MOST SENSOR INPUTS TO INDUSTRY STANDARD 4-20 mA, 1-5 VDC, 0-5 VDC OR 0-10 VDC OUTPUT FOR INTERFACE DIRECTLY WITH PLC'S, DCS'S AND PROCESS COMPUTERS.

MOST UNITS PROVIDE INDEPENDENT LINEARITY EQUIVALENT TO 14-BIT DIGITAL ACCURACY AND INCLUDE USER FRIENDLY FEATURES SUCH AS WIDE RANGING AND NON-INTERACTIVE ZERO AND SPAN CONTROLS.

THE COMPACT DIN MOUNTING STYLE ALLOWS HIGH DENSITY MOUNTING IN NEW OR EXISTING CONTROL PANEL ENCLOSURES OR FIELD MOUNTED.

STANDARD MOUNTING IS DIN RAIL. SURFACE OR SNAP TRACK MOUNTING IS PROVIDED AT NO CHARGE. NEMA 4 OR 7 ARE OPTIONALLY AVAILABLE.

THESE UNITS ARE DESIGNED FOR INDUSTRIAL ENVIRONMENTS. THE HOUSING IS MADE OF RUGGED KRILEN FOR PROTECTION AGAINST CORROSION, MOISTURE AND DUST. SCREW COMPRESSION TERMINALS ARE PROVIDED FOR POSITIVE FIELD CONNECTIONS.

REVERSE POLARITY PROTECTION IS SUPPLIED AS STANDARD.

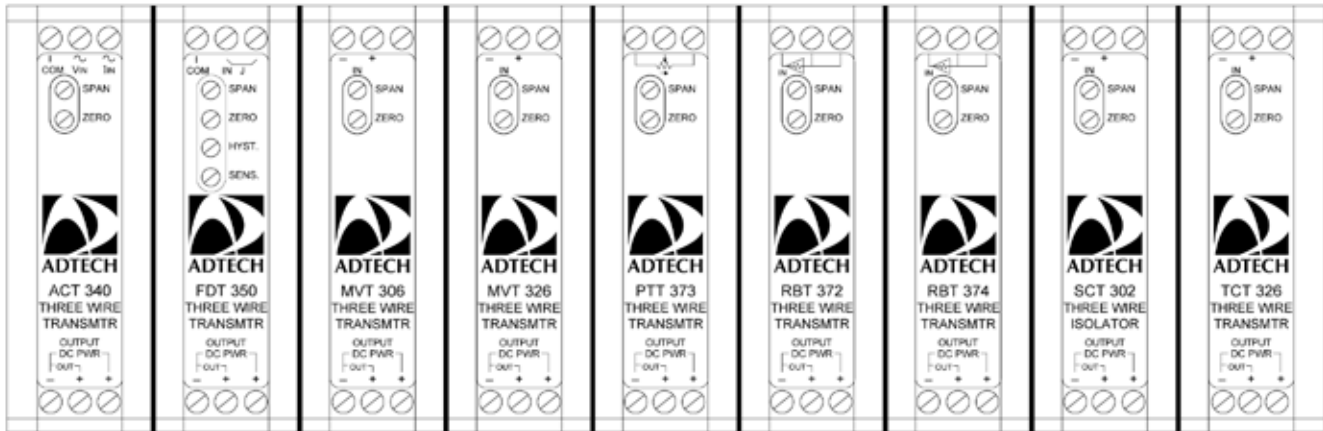
THE POWER RANGE OF 15 TO 42 VDC; 28 MA TYPICAL PROVIDES VALUABLE ADDED DRIVE CAPABILITY.

THE INPUT/OUTPUT CAN BE FACTORY SET TO ORDER AS SPECIFIED (NO CHARGE) OR RECONFIGURED IN THE FIELD BY SIMPLY ADJUSTING SWITCHES, MULTI-TURN POTENTIOMETERS, AND PLUG-IN JUMPERS.

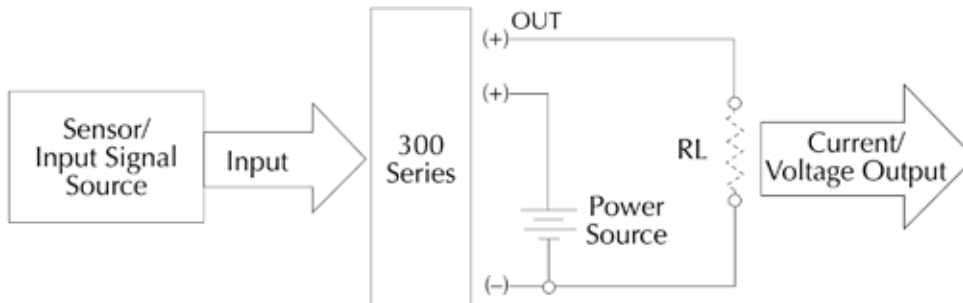
INTEGRAL LCD FIELD INDICATOR (LPI 40D) IS OPTIONALLY AVAILABLE.

AC TO DC OR DC TO DC INSTRUMENT POWER SUPPLIES ARE AVAILABLE. THE IPS 2402 AC/DC POWERS UP TO 2 UNITS. THE IPS 2416 AC/DC OR DC/DC POWERS UP TO 12 UNITS. DIN, SURFACE, SNAP TRACK OR NEMA MOUNTINGS ARE AVAILABLE.

Connections

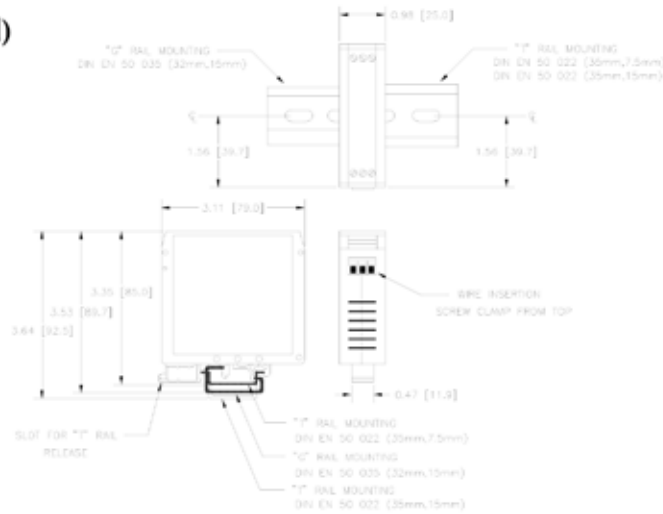


Typical Connection

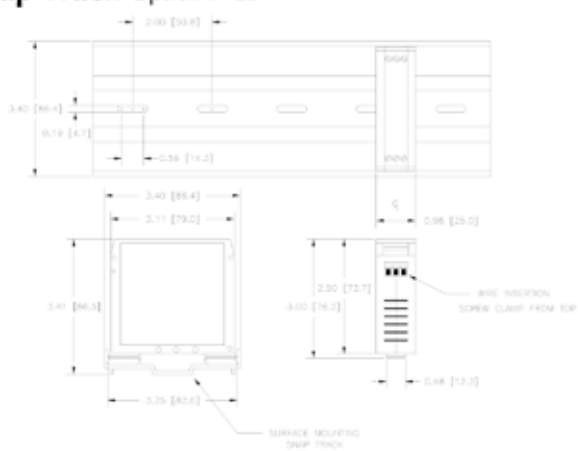


Outline & Mounting

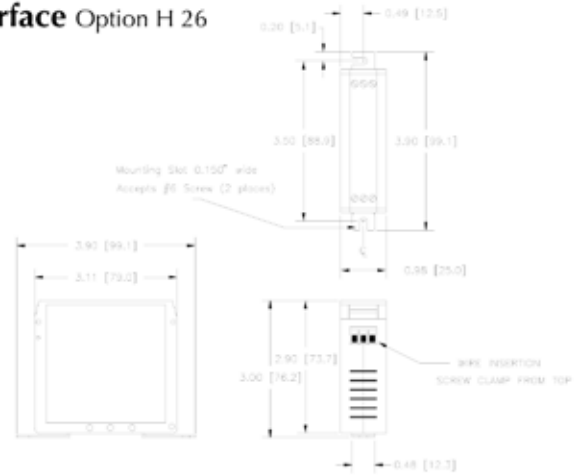
DIN Mount (Standard)



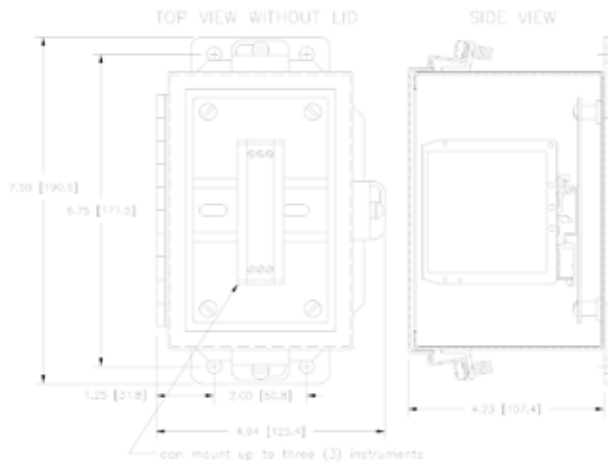
Snap Track Option H 25



Surface Option H 26



NEMA 4 Option H 27



NEMA 7 Option H15D

