



# ADTECH

95 Mt. Read Blvd # 149  
Rochester, New York 14611 USA  
Phone: 1.585.698.1845  
Fax: 1.585.697.0445

## 100 SERIES TWO-WIRE FIELD SELECTABLE WIDE RANGING TRANSMITTERS GUIDE



### FEATURES

- TYPES OF INPUTS: AC CURRENT & VOLTAGE, FREQUENCY, MILLIVOLTS, POTENTIOMETER, RTD, THERMOCOUPLE
- NO INTERACTION: ZERO AND SPAN CONTROLS
- ELEVATION/SUPPRESSION: UP TO 100% OF RANGE
- POWER RANGE: 8 TO 42 VDC
- RFI-IMMUNE
- TEMPERATURE COEFFICIENTS:  
ZERO =  $\pm 0.007\%$  / C OF SPAN- TYPICAL  
SPAN =  $\pm 0.008\%$  / C OF SPAN- TYPICAL
- REPEATABILITY:  $\pm 0.002\%$  TYPICAL
- BANDWIDTH: (-3 DB) : 3.2 HZ TYPICAL
- ISOLATION: 600 VDC OR 350 VAC
- POWER SUPPLY EFFECT:  $\pm 0.005\%$  OF SPAN
- RESPONSE TIME: 110 MILLISECONDS TYPICAL
- REVERSE POLARITY PROTECTION

### TYPICAL APPLICATIONS

#### MEASUREMENT OF :

- TEMPERATURE
- FLOW
- SPEED
- POSITION
- DISPLACEMENT
- ROTATION
- AC CURRENT
- AC VOLTAGE
- DC MILLIVOLTS

AC INPUT ACX 140 (ISOLATED)	AC INPUT ACX 141 (ISOLATED)	FREQUENCY INPUT FDX 150 (ISOLATED)																																													
INPUT/OUTPUT	INPUT/OUTPUT	INPUT/OUTPUT																																													
<p><b>INPUT SIGNALS</b>  AC CURRENT: ANY 0-0.8 TO 0-5 AMPS AC, BURDEN LESS THAN 0.5 VA (7 MAJOR RANGES)  AC VOLTAGE: ANY 0-0.67 TO 0-255 VAC RMS SIGNAL, BURDEN LESS THAN 0.5 VA (21 MAJOR RANGES)  ZERO ADJUSTMENT: ±10%  SPAN ADJUSTMENT: ±25%  INPUT FREQUENCY RANGE: 25-1,000 HZ  INPUT OVERLOAD CAPABILITY:  AC CURRENT: 15 AMPS CONTINUOUS; 200 AMPS FOR 1 SECOND  AC VOLTAGE: 200% OF INPUT SPECIFIED, CONTINUOUS; SUPPRESSION TO 20% OF RANGE</p> <p>OUTPUT SIGNAL: 4-20 mA DC  OUTPUT LOOP DRIVE CAPABILITY</p> <p><math>R \text{ (OHM)} = \frac{(V \text{ SUPPLY} - V \text{ MINIMUM}) 1,000}{I \text{ OUT MAX. MA}}</math></p> <p>V MINIMUM = 8.0 VDC</p> <table border="1" data-bbox="115 779 560 863"> <thead> <tr> <th>I out</th> <th colspan="4">4-20 mA</th> </tr> </thead> <tbody> <tr> <td>V supply</td> <td>12</td> <td>24</td> <td>36</td> <td>42</td> </tr> <tr> <td>R(ohms)</td> <td>200</td> <td>800</td> <td>1400</td> <td>1700</td> </tr> </tbody> </table>	I out	4-20 mA				V supply	12	24	36	42	R(ohms)	200	800	1400	1700	<p><b>INPUT SIGNALS</b>  AC CURRENT: ANY 0-0.8 TO 0-5 AMPS AC, BURDEN LESS THAN 0.5 VA (2 MAJOR RANGES)  AC VOLTAGE: ANY 0-0.67 TO 0-255 VAC RMS SIGNAL, BURDEN LESS THAN 0.5 VA (4 MAJOR RANGES)  ZERO SUPPRESSION: UP TO 100% OF THE MAJOR RANGE SELECTED IN 16 DIVISIONS OF THE COARSE ZERO ADJUSTMENT SWITCH  SPAN: FROM 0-100% FULL SCALE SWITCH SELECTABLE. THE COARSE SPAN SWITCH ADDS 16 DIVISIONS TO EACH MAJOR RANGE.  INPUT FREQUENCY RANGE: 25-1,000 HZ  INPUT OVERLOAD CAPABILITY:  AC CURRENT: 15 AMPS CONT; 200 AMPS, 1 SEC.  AC VOLTAGE: 200% OF INPUT SPECIFIED, CONT.  OUTPUT SIGNAL: 4-20 mA DC  OUTPUT LOOP DRIVE CAPABILITY</p> <p><math>R \text{ (OHM)} = \frac{(V \text{ SUPPLY} - V \text{ MINIMUM}) 1,000}{I \text{ OUT MAX. MA}}</math></p> <p>V MINIMUM = 8.0 VDC</p> <table border="1" data-bbox="586 779 1031 863"> <thead> <tr> <th>I out</th> <th colspan="4">4-20 mA</th> </tr> </thead> <tbody> <tr> <td>V supply</td> <td>12</td> <td>24</td> <td>36</td> <td>42</td> </tr> <tr> <td>R(ohms)</td> <td>200</td> <td>800</td> <td>1400</td> <td>1700</td> </tr> </tbody> </table>	I out	4-20 mA				V supply	12	24	36	42	R(ohms)	200	800	1400	1700	<p><b>INPUT SIGNALS</b>  VOLTAGE (AMPLITUDE): 10 MV-100 VRMS (0-5 KHZ); 50 MV TO 50 VRMS (5 KHZ TO 30 KHZ)  CONTACT: DRY, 2 mA @ 24 VAC RATING  FREQUENCY RANGE: 0-30 HZ TO 0-30 KHZ  FULL SCALE  MAJOR RANGE SWITCH: PROVIDES 11 DISCRETE RANGES  WITH THE ZERO CONTROL ADJUSTABLE 10% OF OUTPUT AND SPAN CONTROL ADJUSTABLE FROM 50% TO 100% OF THE MAJOR RANGE SELECTED</p> <p>OUTPUT SIGNAL: 4-20 mA DC  OUTPUT LOOP DRIVE CAPABILITY  <math>R \text{ (OHM)} = \frac{(V \text{ SUPPLY} - V \text{ MINIMUM}) 1,000}{I \text{ OUT MAX. MA}}</math>  V MINIMUM = 8.0 VDC</p> <table border="1" data-bbox="1057 779 1516 863"> <thead> <tr> <th>I out</th> <th colspan="4">4-20 mA</th> </tr> </thead> <tbody> <tr> <td>V supply</td> <td>12</td> <td>24</td> <td>36</td> <td>42</td> </tr> <tr> <td>R(ohms)</td> <td>200</td> <td>800</td> <td>1400</td> <td>1700</td> </tr> </tbody> </table>	I out	4-20 mA				V supply	12	24	36	42	R(ohms)	200	800	1400	1700
I out	4-20 mA																																														
V supply	12	24	36	42																																											
R(ohms)	200	800	1400	1700																																											
I out	4-20 mA																																														
V supply	12	24	36	42																																											
R(ohms)	200	800	1400	1700																																											
I out	4-20 mA																																														
V supply	12	24	36	42																																											
R(ohms)	200	800	1400	1700																																											
<p><b>PERFORMANCE</b></p> <p>* CALIBRATED ACCURACY: ±0.25%  * INDEPENDENT LINEARITY: ±0.10% MAXIMUM, ±0.04% TYPICAL</p> <p>*10-100% OF SPAN  REPEATABILITY: ±0.005% MAX., ±0.002% TYP.  ZERO TC: ±0.01% OF SPAN MAX /°C  SPAN TC: CURRENT: +0.02% ±0.015% OF SPAN MAX /°C  VOLTAGE: -0.015%, ±0.01% OF SPAN MAX /°C  LOAD EFFECT: ±0.005% ZERO TO FULL LOAD  OUTPUT RIPPLE: 10 mV P/P MAXIMUM  RESPONSE TIME: 350 MILLISECONDS (10 TO 90% STEP RESPONSE)  BANDWIDTH: (-3 DB): 1 HZ  TEMPERATURE RANGE:  -25° TO 185°F (-31° TO 85°C) OPERATING;  -40° TO 200°F (-40° TO 93°C) STORAGE  POWER SUPPLY EFFECT: ±0.005% OVER OPERATING RANGE  ISOLATION: INPUT/OUTPUT/CASE: 750VAC, 1,000 VDC  NOTE: ALL ACCURACIES ARE GIVEN AS A % OF SPAN.</p>	<p><b>PERFORMANCE</b></p> <p>* CALIBRATED ACCURACY: ±0.25%  * INDEPENDENT LINEARITY: ±0.10% MAXIMUM, ±0.04% TYPICAL</p> <p>*10-100% OF SPAN  REPEATABILITY: ±0.005% MAX., ±0.002% TYP.  ZERO TC: ±0.01% OF SPAN MAX /°C  SPAN TC: CURRENT: -0.02% ±0.015% OF SPAN MAX /°C  VOLTAGE: -0.015%, ±0.01% OF SPAN MAX /°C  LOAD EFFECT: ±0.005% ZERO TO FULL LOAD  OUTPUT RIPPLE: 10 mV P/P MAXIMUM  RESPONSE TIME: 350 MILLISECONDS (10 TO 90% STEP RESPONSE)  BANDWIDTH: (-3 DB): 1 HZ  TEMPERATURE RANGE:  -25° TO 185°F (-31° TO 85°C) OPERATING;  -40° TO 200°F (-40° TO 93°C) STORAGE  POWER SUPPLY EFFECT: ±0.005% OVER OPERATING RANGE  ISOLATION: INPUT/OUTPUT/CASE: 750VAC, 1,000 VDC  NOTE: ALL ACCURACIES ARE GIVEN AS A % OF SPAN.</p>	<p><b>PERFORMANCE</b></p> <p>* CALIBRATED ACCURACY: ±0.1%  * INDEPENDENT LINEARITY: ±0.02% MAXIMUM, ±0.01% TYPICAL</p> <p>REPEATABILITY: ±0.005% MAX., ±0.002% TYP.  ZERO TC: ±0.01% OF SPAN MAX /°C  SPAN TC: ±0.01% OF SPAN MAX /°C  LOAD EFFECT: ±0.005% ZERO TO FULL LOAD  OUTPUT RIPPLE: 10 mV P/P MAXIMUM  RESPONSE TIME: 550 MILLISECONDS (10 TO 90% STEP RESPONSE)  BANDWIDTH: (-3 DB): 0.6 HZ  TEMPERATURE RANGE:  -25° TO 185°F (-31° TO 85°C) OPERATING;  -40° TO 200°F (-40° TO 93°C) STORAGE  POWER SUPPLY EFFECT: ±0.005% OVER OPERATING RANGE  ISOLATION: INPUT/OUTPUT/CASE: 600 VDC OR 350 VAC WITH RFI  NOTE: ALL ACCURACIES ARE GIVEN AS A % OF SPAN.</p>																																													
<p><b>POWER</b></p> <p>8 TO 42 VDC: STANDARD</p>	<p><b>POWER</b></p> <p>8 TO 42 VDC: STANDARD</p>	<p><b>POWER</b></p> <p>8 TO 42 VDC: STANDARD</p>																																													
<p><b>MECHANICAL</b></p> <p>ELECTRICAL CLASSIFICATION: GENERAL PURPOSE, CSA  CONNECTION: BARRIER TERMINAL STRIPS (0.325" SPACING, NO. 6 SCREWS)  CONTROLS: ONE 8-POSITION DIP SWITCH FOR MAJOR RANGE; TWO MULTITURN POTENTIOMETERS FOR FINE ZERO AND SPAN CONTROL.  MOUNTING: SURFACE, SNAP-TRACK, DIN, OR NEMA 4, 7, &amp; 12  WEIGHT: NET UNIT: 8 OZ. (228 GRAMS);  SHIPPING: NOMINAL 1 POUND (455 GRAMS)</p>	<p><b>MECHANICAL</b></p> <p>ELECTRICAL CLASSIFICATION: GENERAL PURPOSE, CSA  CONNECTION: BARRIER TERMINAL STRIPS (0.325" SPACING, NO. 6 SCREWS)  CONTROLS: ONE 8-POSITION DIP SWITCH FOR MAJOR RANGE; TWO 16-POSITION ROTARY SWITCHES FOR COARSE ZERO AND SPAN CONTROL; TWO MULTITURN POTENTIOMETERS FOR FINE ZERO AND SPAN CONTROL.  MOUNTING: SURFACE, SNAP-TRACK, DIN, OR NEMA 4, 7, &amp; 12  WEIGHT: NET UNIT: 8 OZ. (228 GRAMS);  SHIPPING: NOMINAL 1 POUND (455 GRAMS)</p>	<p><b>MECHANICAL</b></p> <p>ELECTRICAL CLASSIFICATION: GENERAL PURPOSE, CSA  CONNECTION: BARRIER TERMINAL STRIPS (0.325" SPACING, NO. 6 SCREWS)  CONTROLS: ONE 16-POSITION ROTARY SWITCH FOR RANGE CONTROL; FOUR MULTITURN POTENTIOMETERS FOR ZERO, SPAN, SENSITIVITY, AND HYSTERESIS CONTROL  MOUNTING: SURFACE, SNAP-TRACK, DIN, OR NEMA 4, 7, &amp; 12  WEIGHT: NET UNIT: 8 OZ. (228 GRAMS);  SHIPPING: NOMINAL 1 POUND (455 GRAMS)</p>																																													
<p><b>OPTIONS</b></p> <p>H 13 THROUGH H 23 LPI      MOUNTING LOOP POWERED INDICATOR</p>	<p><b>OPTIONS</b></p> <p>H 13 THROUGH H 23 LPI      MOUNTING LOOP POWERED INDICATOR</p>	<p><b>OPTIONS</b></p> <p>H 13 THROUGH H 23 LPI      MOUNTING LOOP POWERED INDICATOR</p>																																													

MV INPUT MVX 106 (NON-ISOLATED)	MV INPUT MVX 126 (ISOLATED)	POTENTIOMETER INPUT PTX 173 (NON-ISOLATED)																																													
INPUT/OUTPUT	INPUT/OUTPUT	INPUT/OUTPUT																																													
<p><b>INPUT SIGNALS</b> 0.5 mV TO 100 mV SPAN (Z IN GREATER THAN 10 MEGOHMS) ZERO SUPPRESSION: UP TO 100% OF THE MAJOR RANGE SELECTED IN 16 DIVISIONS OF THE COARSE ZERO ADJUSTMENT SWITCH SPAN: FROM 0.5 mV TO 100 mV FULL SCALE SWITCH SELECTABLE. THE COARSE SPAN SWITCH ADDS 16 DIVISIONS TO EACH MAJOR RANGE. UPSCALE/DOWNSCALE PROTECTION: OPTIONAL</p> <p>OUTPUT SIGNAL: 4-20 mA DC OUTPUT LOOP DRIVE CAPABILITY</p> <p><math>R \text{ (OHM)} = \frac{(V \text{ SUPPLY} - V \text{ MINIMUM}) 1.000}{I \text{ OUT MAX. MA}}</math></p> <p>V MINIMUM = 8.0 VDC</p>	<p><b>INPUT SIGNALS</b> 0.5 mV TO 100 mV SPAN (Z IN GREATER THAN 10 MEGOHMS) ZERO SUPPRESSION: UP TO 100% OF THE MAJOR RANGE SELECTED IN 16 DIVISIONS OF THE COARSE ZERO ADJUSTMENT SWITCH SPAN: FROM 0.5 mV TO 100 mV FULL SCALE SWITCH SELECTABLE. THE COARSE SPAN SWITCH ADDS 16 DIVISIONS TO EACH MAJOR RANGE. UPSCALE/DOWNSCALE PROTECTION: OPTIONAL</p> <p>OUTPUT SIGNAL: 4-20 mA DC OUTPUT LOOP DRIVE CAPABILITY</p> <p><math>R \text{ (OHM)} = \frac{(V \text{ SUPPLY} - V \text{ MINIMUM}) 1.000}{I \text{ OUT MAX. MA}}</math></p> <p>V MINIMUM = 8.0 VDC</p>	<p><b>INPUT SIGNALS</b> POTENTIOMETERS/SLIDEWIRE SENSORS: 3 WIRE 50 OHM TO 100 K OHM RESISTANCE SPANS: STANDARD ZERO SUPPRESSION: UP TO 100% OF THE POTENTIOMETER ROTATION SELECTED IN 16 DIVISIONS OF THE COARSE ZERO ADJUSTMENT SWITCH. SPAN: FROM 0-100% FULL SCALE SWITCH SELECTABLE. THE COARSE SPAN SWITCH ADDS 16 RANGE DIVISIONS.</p> <p>OUTPUT SIGNAL: 4-20 mA DC OUTPUT LOOP DRIVE CAPABILITY <math>R \text{ (OHM)} = \frac{(V \text{ SUPPLY} - V \text{ MINIMUM}) 1.000}{I \text{ OUT MAX. MA}}</math> V MINIMUM = 8.0 VDC</p>																																													
<table border="1"> <thead> <tr> <th>I out</th> <th colspan="4">4-20 mA</th> </tr> </thead> <tbody> <tr> <td>V supply</td> <td>12</td> <td>24</td> <td>36</td> <td>42</td> </tr> <tr> <td>R(ohms)</td> <td>200</td> <td>800</td> <td>1400</td> <td>1700</td> </tr> </tbody> </table>	I out	4-20 mA				V supply	12	24	36	42	R(ohms)	200	800	1400	1700	<table border="1"> <thead> <tr> <th>I out</th> <th colspan="4">4-20 mA</th> </tr> </thead> <tbody> <tr> <td>V supply</td> <td>12</td> <td>24</td> <td>36</td> <td>42</td> </tr> <tr> <td>R(ohms)</td> <td>200</td> <td>800</td> <td>1400</td> <td>1700</td> </tr> </tbody> </table>	I out	4-20 mA				V supply	12	24	36	42	R(ohms)	200	800	1400	1700	<table border="1"> <thead> <tr> <th>I out</th> <th colspan="4">4-20 mA</th> </tr> </thead> <tbody> <tr> <td>V supply</td> <td>12</td> <td>24</td> <td>36</td> <td>42</td> </tr> <tr> <td>R(ohms)</td> <td>200</td> <td>800</td> <td>1400</td> <td>1700</td> </tr> </tbody> </table>	I out	4-20 mA				V supply	12	24	36	42	R(ohms)	200	800	1400	1700
I out	4-20 mA																																														
V supply	12	24	36	42																																											
R(ohms)	200	800	1400	1700																																											
I out	4-20 mA																																														
V supply	12	24	36	42																																											
R(ohms)	200	800	1400	1700																																											
I out	4-20 mA																																														
V supply	12	24	36	42																																											
R(ohms)	200	800	1400	1700																																											
PERFORMANCE	PERFORMANCE	PERFORMANCE																																													
<p>* CALIBRATED ACCURACY: 0.1% INDEPENDENT LINEARITY: ±0.01% MAXIMUM, ±0.006% TYPICAL (14-BIT DIGITAL LINEARITY) REPEATABILITY: ±0.005% MAX., ±0.002% TYP. ZERO TC: ± <math>\frac{0.025}{\text{INPUT SPAN (MV)}} + 0.005</math> % OF SPAN MAX./ °C SPAN TC: ±0.008% OF SPAN MAX./°C LOAD EFFECT: ±0.005% ZERO TO FULL LOAD OUTPUT RIPPLE: 10 mV P/P MAXIMUM RESPONSE TIME: 110 MILLISECONDS (10 TO 90% STEP RESPONSE) BANDWIDTH: (-3 DB): 3.2 HZ TEMPERATURE RANGE: -25° TO 185°F (-31° TO 85°C) OPERATING; -40° TO 200°F (-40° TO 93°C) STORAGE POWER SUPPLY EFFECT: ±0.005% OVER OPERATING RANGE NOTE: ALL ACCURACIES ARE GIVEN AS A % OF SPAN.</p>	<p>* CALIBRATED ACCURACY: 0.1% INDEPENDENT LINEARITY: ±0.01% MAXIMUM, ±0.006% TYPICAL (14-BIT DIGITAL LINEARITY) REPEATABILITY: ±0.005% MAX., ±0.002% TYP. ZERO TC: ± <math>\frac{0.025}{\text{INPUT SPAN (MV)}} + 0.005</math> % OF SPAN MAX./ °C SPAN TC: ±0.008% OF SPAN MAX./°C LOAD EFFECT: ±0.005% ZERO TO FULL LOAD OUTPUT RIPPLE: 10 mV P/P MAXIMUM RESPONSE TIME: 110 MILLISECONDS (10 TO 90% STEP RESPONSE) BANDWIDTH: (-3 DB): 3.2 HZ TEMPERATURE RANGE: -25° TO 185°F (-31° TO 85°C) OPERATING; -40° TO 200°F (-40° TO 93°C) STORAGE POWER SUPPLY EFFECT: ±0.005% OVER OPERATING RANGE ISOLATION: INPUT/OUTPUT/CASE: 600 VDC, OR 350 VAC NOTE: ALL ACCURACIES ARE GIVEN AS A % OF SPAN.</p>	<p>* CALIBRATED ACCURACY: ±0.1% *INDEPENDENT LINEARITY: ±0.01% MAXIMUM, ±0.006% TYPICAL (14-BIT DIGITAL LINEARITY) REPEATABILITY: ±0.005% MAX., ±0.002% TYP. ZERO TC: ±0.007% OF SPAN MAX /°C SPAN TC: ±0.010% OF SPAN MAX/°C LOAD EFFECT: ±0.005% ZERO TO FULL LOAD OUTPUT RIPPLE: 10 mV P/P MAXIMUM RESPONSE TIME: 110 MILLISECONDS ( 10 TO 90% STEP RESPONSE) BANDWIDTH: (-3 DB): 3.2 HZ TEMPERATURE RANGE: -25° TO 185°F (-31° TO 85°C) OPERATING; -40° TO 200°F (-40° TO 93°C) STORAGE POWER SUPPLY EFFECT: ±0.005% OVER OPERATING RANGE NOTE: ALL ACCURACIES ARE GIVEN AS A % OF SPAN.</p>																																													
POWER	POWER	POWER																																													
8 TO 42 VDC: STANDARD	8 TO 42 VDC: STANDARD	8 TO 42 VDC: STANDARD																																													
MECHANICAL	MECHANICAL	MECHANICAL																																													
<p>ELECTRICAL CLASSIFICATION: GENERAL PURPOSE, CSA CONNECTION: BARRIER TERMINAL STRIPS (0.325" SPACING, NO. 6 SCREWS) CONTROLS: ONE 8-POSITION DIP SWITCH FOR MAJOR RANGE; TWO 16-POSITION ROTARY SWITCHES FOR COARSE ZERO AND SPAN CONTROL; TWO MULTITURN POTENTIOMETERS FOR FINE ZERO AND SPAN CONTROL. MOUNTING: SURFACE, SNAP-TRACK, DIN, OR NEMA 4, 7, &amp; 12 WEIGHT: NET UNIT: 8 OZ. (228 GRAMS); SHIPPING: NOMINAL 1 POUND (455 GRAMS)</p>	<p>ELECTRICAL CLASSIFICATION: GENERAL PURPOSE, CSA CONNECTION: BARRIER TERMINAL STRIPS (0.325" SPACING, NO. 6 SCREWS) CONTROLS: ONE 8-POSITION DIP SWITCH FOR MAJOR RANGE; TWO 16-POSITION ROTARY SWITCHES FOR COARSE ZERO AND SPAN CONTROL; TWO MULTITURN POTENTIOMETERS FOR FINE ZERO AND SPAN CONTROL. MOUNTING: SURFACE, SNAP-TRACK, DIN, OR NEMA 4, 7, &amp; 12 WEIGHT: NET UNIT: 8 OZ. (228 GRAMS); SHIPPING: NOMINAL 1 POUND (455 GRAMS)</p>	<p>ELECTRICAL CLASSIFICATION: GENERAL PURPOSE, CSA CONNECTION: BARRIER TERMINAL STRIPS (0.325" SPACING, NO. 6 SCREWS) CONTROLS: TWO 16-POSITION ROTARY SWITCHES FOR COARSE ZERO AND SPAN CONTROL; TWO MULTITURN POTENTIOMETERS FOR FINE ZERO AND SPAN CONTROL MOUNTING: SURFACE, SNAP-TRACK, DIN, OR NEMA 4, 7, &amp; 12 WEIGHT: NET UNIT: 8 OZ. (228 GRAMS); SHIPPING: NOMINAL 1 POUND (455 GRAMS)</p>																																													
OPTIONS	OPTIONS	OPTIONS																																													
<table border="0"> <tr> <td>H 13 THROUGH H 23 LPI</td> <td>MOUNTING LOOP POWERED INDICATOR</td> </tr> <tr> <td>I 14</td> <td>VOLTAGE/CURRENT INPUTS</td> </tr> </table>	H 13 THROUGH H 23 LPI	MOUNTING LOOP POWERED INDICATOR	I 14	VOLTAGE/CURRENT INPUTS	<table border="0"> <tr> <td>H 13 THROUGH H 23 LPI</td> <td>MOUNTING LOOP POWERED INDICATOR</td> </tr> <tr> <td>I 14</td> <td>VOLTAGE/CURRENT INPUTS</td> </tr> </table>	H 13 THROUGH H 23 LPI	MOUNTING LOOP POWERED INDICATOR	I 14	VOLTAGE/CURRENT INPUTS	<table border="0"> <tr> <td>H 13 THROUGH H 23 LPI</td> <td>MOUNTING LOOP POWERED INDICATOR</td> </tr> </table>	H 13 THROUGH H 23 LPI	MOUNTING LOOP POWERED INDICATOR																																			
H 13 THROUGH H 23 LPI	MOUNTING LOOP POWERED INDICATOR																																														
I 14	VOLTAGE/CURRENT INPUTS																																														
H 13 THROUGH H 23 LPI	MOUNTING LOOP POWERED INDICATOR																																														
I 14	VOLTAGE/CURRENT INPUTS																																														
H 13 THROUGH H 23 LPI	MOUNTING LOOP POWERED INDICATOR																																														

RTD INPUT RBX 174 (NON-ISOLATED)	RTD INPUT RBX 172 (ISOLATED)	T/C INPUT TCX 126 (ISOLATED)																																													
<b>INPUT/OUTPUT</b>	<b>INPUT/OUTPUT</b>	<b>INPUT/OUTPUT</b>																																													
<p><b>INPUT SIGNALS</b> RESISTANCE BULB SENSOR: 2, 3, OR 4 WIRE TYPES CONFORMANCE TO RTD CURVES: 0.15% MAX. 1 TO 400 OHM RESISTANCE SPANS: STANDARD ZERO SUPPRESSION: UP TO 100% OF THE MAJOR RANGE SELECTED IN 16 DIVISIONS OF THE COARSE ZERO AD- JUSTMENT SWITCH. SPAN: FROM 0-100% FULL SCALE SWITCH SELECTABLE. THE COARSE SPAN SWITCH ADDS 16 DIVISIONS TO EACH MAJOR RANGE. LEAD COMPENSATION: 1% MAXIMUM ERROR OF DIFFERENTIAL LEAD RESISTANCE</p> <p>OUTPUT SIGNAL: 4-20 mA DC OUTPUT LOOP DRIVE CAPABILITY</p> <p><math>R \text{ (OHM)} = \frac{(V \text{ SUPPLY} - V \text{ MINIMUM}) 1.000}{I \text{ OUT MAX. MA}}</math></p> <p>V MINIMUM = 8.0 VDC</p> <table border="1" data-bbox="105 640 552 720"> <thead> <tr> <th>I out</th> <th colspan="4">4-20 mA</th> </tr> </thead> <tbody> <tr> <td>V supply</td> <td>12</td> <td>24</td> <td>36</td> <td>42</td> </tr> <tr> <td>R(ohms)</td> <td>200</td> <td>800</td> <td>1400</td> <td>1700</td> </tr> </tbody> </table>	I out	4-20 mA				V supply	12	24	36	42	R(ohms)	200	800	1400	1700	<p><b>INPUT SIGNALS</b> RESISTANCE BULB SENSOR: 2, 3, OR 4 WIRE TYPES CONFORMANCE TO RTD CURVES: 0.15% MAX. 1 TO 400 OHM RESISTANCE SPANS: STANDARD ZERO SUPPRESSION: UP TO 100% OF THE MAJOR RANGE SELECTED IN 16 DIVISIONS OF THE COARSE ZERO AD- JUSTMENT SWITCH. SPAN: FROM 0-100% FULL SCALE SWITCH SELECTABLE. THE COARSE SPAN SWITCH ADDS 16 DIVISIONS TO EACH MAJOR RANGE. LEAD COMPENSATION: 1% MAXIMUM ERROR OF DIFFERENTIAL LEAD RESISTANCE</p> <p>OUTPUT SIGNAL: 4-20 mA DC OUTPUT LOOP DRIVE CAPABILITY</p> <p><math>R \text{ (OHM)} = \frac{(V \text{ SUPPLY} - V \text{ MINIMUM}) 1.000}{I \text{ OUT MAX. MA}}</math></p> <p>V MINIMUM = 8.0 VDC</p> <table border="1" data-bbox="584 640 1031 720"> <thead> <tr> <th>I out</th> <th colspan="4">4-20 mA</th> </tr> </thead> <tbody> <tr> <td>V supply</td> <td>12</td> <td>24</td> <td>36</td> <td>42</td> </tr> <tr> <td>R(ohms)</td> <td>200</td> <td>800</td> <td>1400</td> <td>1700</td> </tr> </tbody> </table>	I out	4-20 mA				V supply	12	24	36	42	R(ohms)	200	800	1400	1700	<p><b>INPUT SIGNALS</b> *THERMOCOUPLE: ALL STANDARD ISA CALIBRATION (B, E, J, K, R, S, T), -20 MV TO 100 MV SPANS (Z IN GREATER THAN 1 MEGOHM) ZERO SUPPRESSION: UP TO 100% OF THE MAJOR RANGE SELECTED IN 16 DIVISIONS OF THE COARSE ZERO AD- JUSTMENT SWITCH. SPAN: FROM 0.5 MV TO 100 MV FULL SCALE SWITCH SELECTABLE. THE COARSE SPAN SWITCH ADDS 16 DIVI- SIONS TO EACH MAJOR RANGE. UPSCALE/DOWNSCALE BURNOUT PROTECTION: STAN- DARD BURNOUT CURRENT: 0.1 MICRO AMPERES-NOMINAL *CONSULT FACTORY FOR OTHER T/C TYPES.</p> <p>OUTPUT SIGNAL: 4-20 mA DC OUTPUT LOOP DRIVE CAPABILITY <math>R \text{ (OHM)} = \frac{(V \text{ SUPPLY} - V \text{ MINIMUM}) 1.000}{I \text{ OUT MAX. MA}}</math> V MINIMUM = 8.0 VDC</p> <table border="1" data-bbox="1063 640 1510 720"> <thead> <tr> <th>I out</th> <th colspan="4">4-20 mA</th> </tr> </thead> <tbody> <tr> <td>V supply</td> <td>12</td> <td>24</td> <td>36</td> <td>42</td> </tr> <tr> <td>R(ohms)</td> <td>200</td> <td>800</td> <td>1400</td> <td>1700</td> </tr> </tbody> </table>	I out	4-20 mA				V supply	12	24	36	42	R(ohms)	200	800	1400	1700
I out	4-20 mA																																														
V supply	12	24	36	42																																											
R(ohms)	200	800	1400	1700																																											
I out	4-20 mA																																														
V supply	12	24	36	42																																											
R(ohms)	200	800	1400	1700																																											
I out	4-20 mA																																														
V supply	12	24	36	42																																											
R(ohms)	200	800	1400	1700																																											
<b>PERFORMANCE</b>	<b>PERFORMANCE</b>	<b>PERFORMANCE</b>																																													
<p>* CALIBRATED ACCURACY: ±0.1% *INDEPENDENT LINEARITY: ±0.025% MAXIMUM, ±0.01% TYPICAL REPEATABILITY: ±0.005% MAX., ±0.002% TYP. ZERO TC: <math>\pm \frac{0.05}{\text{INPUT SPAN (OHMS)}} + 0.005</math> % OF SPAN/ °C MAX. SPAN TC: ±0.008% OF SPAN MAX. / °C CONFORMANCE TO RTD CURVES: 0.15% MAX. LOAD EFFECT: ±0.005% ZERO TO FULL LOAD OUTPUT RIPPLE: 10 MV P/P MAXIMUM RESPONSE TIME: 110 MILLISECONDS ( 10 TO 90% STEP RESPONSE) BANDWIDTH: (-3 DB): 3.2 HZ TEMPERATURE RANGE: -25° TO 185°F (-31° TO 85°C) OPERATING; -40° TO 200°F (-40° TO 93°C) STORAGE POWER SUPPLY EFFECT: ±0.005% OVER OPERATING RANGE NOTE: ALL ACCURACIES ARE GIVEN AS A % OF SPAN.</p>	<p>* CALIBRATED ACCURACY: ±0.1% *INDEPENDENT LINEARITY: ±0.025% MAXIMUM, ±0.01% TYPICAL REPEATABILITY: ±0.005% MAX., ±0.002% TYP. ZERO TC: <math>\pm \frac{0.05}{\text{INPUT SPAN (OHMS)}} + 0.005</math> % OF SPAN/ °C MAX. SPAN TC: ±0.008% OF SPAN MAX. / °C CONFORMANCE TO RTD CURVES: 0.15% MAX. LOAD EFFECT: ±0.005% ZERO TO FULL LOAD OUTPUT RIPPLE: 10 MV P/P MAXIMUM RESPONSE TIME: 110 MILLISECONDS ( 10 TO 90% STEP RESPONSE) BANDWIDTH: (-3 DB): 3.2 HZ TEMPERATURE RANGE: -25° TO 185°F (-31° TO 85°C) OPERATING; -40° TO 200°F (-40° TO 93°C) STORAGE POWER SUPPLY EFFECT: ±0.005% OVER OPERATING RANGE ISOLATION: INPUT/OUTPUT/CASE: 600VDC, 350 VAC NOTE: ALL ACCURACIES ARE GIVEN AS A % OF SPAN.</p>	<p>* CALIBRATED ACCURACY: ±0.1% *INDEPENDENT LINEARITY: ±0.01% MAXIMUM., ±0.006% TYPICAL (14-BIT DIGITAL LINEARITY) REPEATABILITY: ±0.005% MAX., ±0.002% TYP. ZERO TC: <math>\pm \frac{0.025}{\text{INPUT SPAN (MV)}} + 0.007</math> % OF SPAN/ °C MAX. SPAN TC: ±0.008% OF SPAN MAX. / °C LOAD EFFECT: ±0.005% ZERO TO FULL LOAD OUTPUT RIPPLE: 10 MV P/P MAXIMUM RESPONSE TIME: 110 MILLISECONDS ( 10 TO 90% STEP RESPONSE) BANDWIDTH: (-3 DB): 3.2 HZ TEMPERATURE RANGE: -25° TO 185°F (-31° TO 85°C) OPERATING; -40° TO 200°F (-40° TO 93°C) STORAGE POWER SUPPLY EFFECT: ±0.005% OVER OPERATING RANGE ISOLATION: INPUT/OUTPUT/CASE: 600VDC, 350 VAC COLD JUNCTION COMPENSATION ERROR: 1.5 °C MAX (0 TO 50 °C BURNOUT CURRENT: 0.1 MICRO AMPS- NOMINAL NOTE: ALL ACCURACIES ARE GIVEN AS A % OF SPAN.</p>																																													
<b>POWER</b>	<b>POWER</b>	<b>POWER</b>																																													
8 TO 42 VDC: STANDARD	8 TO 42 VDC: STANDARD	8 TO 42 VDC: STANDARD																																													
<b>OPTIONS</b>	<b>OPTIONS</b>	<b>OPTIONS</b>																																													
<table border="0"> <tr> <td>H 13 THROUGH H 23 LPI</td> <td>MOUNTING LOOP POWERED INDICATOR</td> </tr> </table>	H 13 THROUGH H 23 LPI	MOUNTING LOOP POWERED INDICATOR	<table border="0"> <tr> <td>H 13 THROUGH H 23 LPI</td> <td>MOUNTING LOOP POWERED INDICATOR</td> </tr> </table>	H 13 THROUGH H 23 LPI	MOUNTING LOOP POWERED INDICATOR	<table border="0"> <tr> <td>H 13 THROUGH H 23 LPI</td> <td>MOUNTING LOOP POWERED INDICATOR</td> </tr> </table>	H 13 THROUGH H 23 LPI	MOUNTING LOOP POWERED INDICATOR																																							
H 13 THROUGH H 23 LPI	MOUNTING LOOP POWERED INDICATOR																																														
H 13 THROUGH H 23 LPI	MOUNTING LOOP POWERED INDICATOR																																														
H 13 THROUGH H 23 LPI	MOUNTING LOOP POWERED INDICATOR																																														
<b>MECHANICAL</b>																																															
<p>ELECTRICAL CLASSIFICATION: GENERAL PURPOSE, CSA CONNECTION: BARRIER TERMINAL STRIPS (0.325" SPACING, NO. 6 SCREWS) ELECTRICAL CLASSIFICATION: GENERAL PURPOSE, CSA CONNECTION: BARRIER TERMINAL STRIPS (0.325" SPACING, NO. 6 SCREWS) CONTROLS: ONE 8-POSITION DIP SWITCH FOR MAJOR RANGE; TWO 16-POSITION ROTARY SWITCHES FOR COARSE ZERO AND SPAN CONTROL; TWO MULTITURN POTENTIOM- ETERS FOR FINE ZERO AND SPAN CONTROL.</p> <p>MOUNTING: SURFACE, SNAP-TRACK, DIN, OR NEMA 4, 7, &amp; 12 WEIGHT: NET UNIT: 8 OZ. (228 GRAMS); SHIPPING: NOMINAL 1 POUND (455 GRAMS)</p>																																															

THE ADTECH 100 SERIES TWO-WIRE TRANSMITTERS PROVIDE FIELD MOUNTED EFFICIENCY AND EASE OF WIRING IN A COMPACT PACKAGE. THE UNITS CONVERT SENSOR INPUTS TO THE INDUSTRY STANDARD 4-20 MA DC TWO-WIRE LOOP OUTPUT FOR INTERFACE DIRECTLY WITH PLC'S, DCS'S AND PROCESS COMPUTERS.

MOST UNITS PROVIDE INDEPENDENT LINEARITY EQUIVALENT TO 14-BIT DIGITAL ACCURACY AND INCLUDE USER FRIENDLY FEATURES SUCH AS WIDE RANGING AND NON-INTERACTIVE ZERO AND SPAN CONTROLS.

THE COMPACT MOUNTING STYLE ALLOWS HIGH DENSITY MOUNTING IN NEW OR EXISTING FIELD MOUNTED OR CONTROL PANEL ENCLOSURES.

THESE UNITS ARE DESIGNED FOR INDUSTRIAL (FIELD) ENVIRONMENTS. THE HOUSING IS MADE OF RUGGED DIE CAST ALUMINUM WITH AN EPOXY PAINT FINISH AND IS GASKETED/SEALED FOR PROTECTION AGAINST CORROSION, MOISTURE, AND DUST. BARRIER TERMINAL STRIPS ARE PROVIDED FOR POSITIVE FIELD CONNECTIONS.

RFI PROTECTION, MEETING SAMA PMC 33.1C AND EMI INTERFERENCE, IS PROVIDED AS STANDARD.

MOUNTING OPTIONS FOR NEMA 4,7,12,SNAP TRACK, AND DIN ARE AVAILABLE.

REVERSE POLARITY PROTECTION AND CURRENT LIMITING ARE SUPPLIED AS STANDARD.

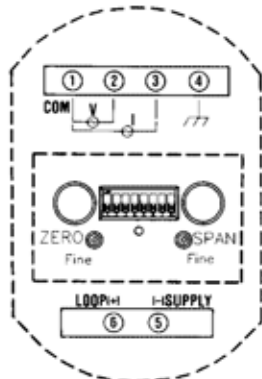
THE POWER RANGE OF 8 TO 42 VDC PROVIDES VALUABLE ADDED DRIVE CAPABILITY.

THE INPUT CAN BE FACTORY SET TO ORDER AS SPECIFIED (NO CHARGE) OR RECONFIGURED IN THE FIELD BY SIMPLY ADJUSTING SWITCHES AND MULTI-TURN POTENTIOMETERS.

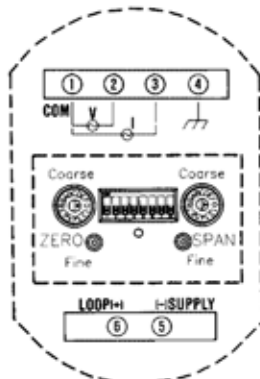
INTEGRAL LCD FIELD INDICATOR (LPI 40) IS OPTIONALLY AVAILABLE.

AC TO DC OR DC TO DC INSTRUMENT POWER SUPPLIES ARE AVAILABLE. THE IPS 2402 AC/DC POWERS UP TO 2 UNITS. THE IPS 2416 AC/DC OR DC/DC POWERS UP TO 16 UNITS. DIN, SURFACE, SNAP TACK OR NEMA MOUNTINGS ARE AVAILABLE.

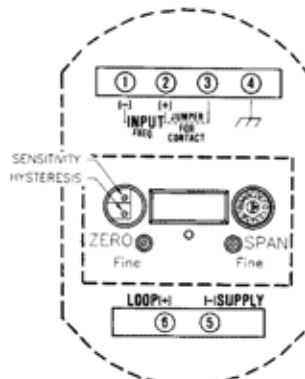
## Connections



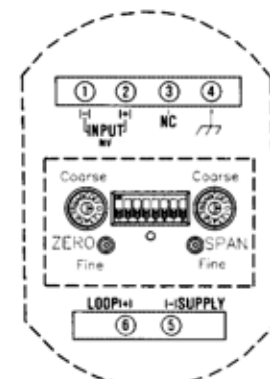
**ACX 140**



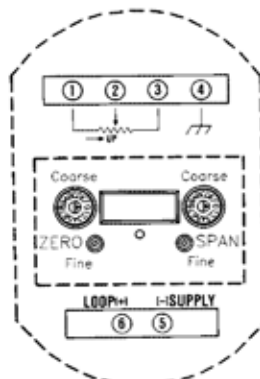
**ACX 141**



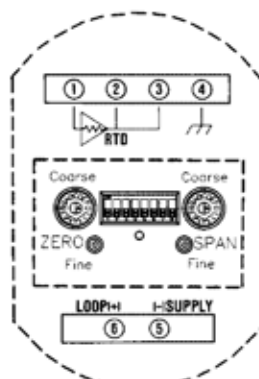
**FDX 150**



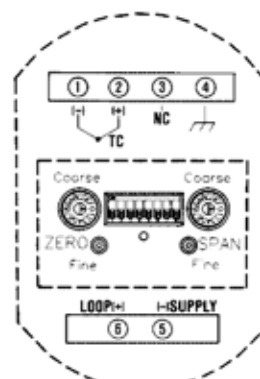
**MVX 106 & MVX 126**



**PTX 173**



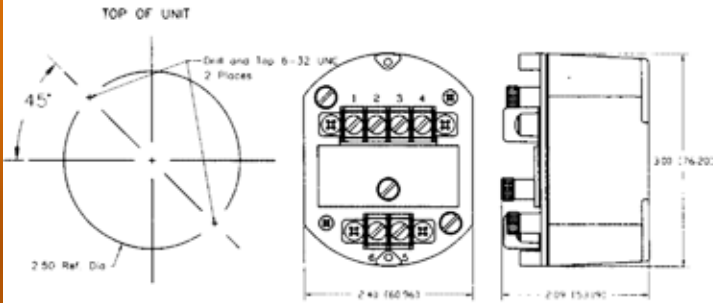
**RBX 172 & RBX 174**



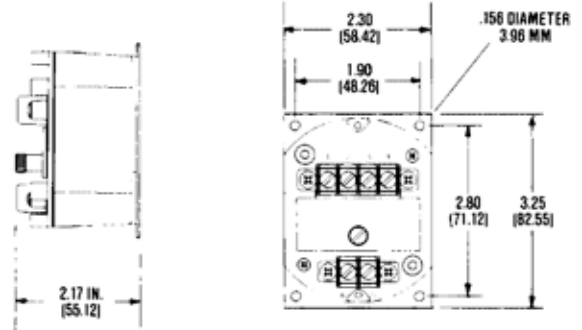
**TCX 126**

# Outline & Mounting

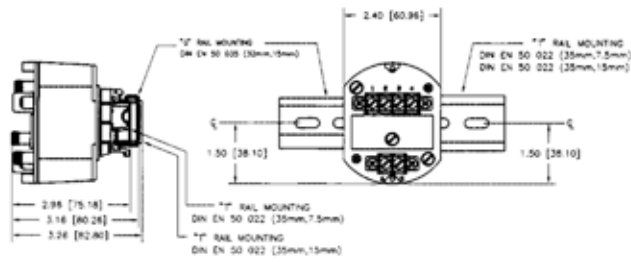
## Surface (Standard)



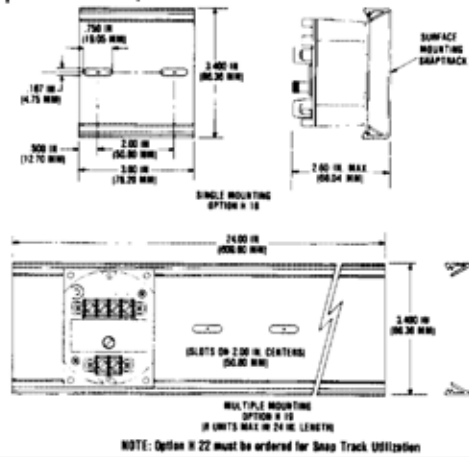
## Surface Option H 22



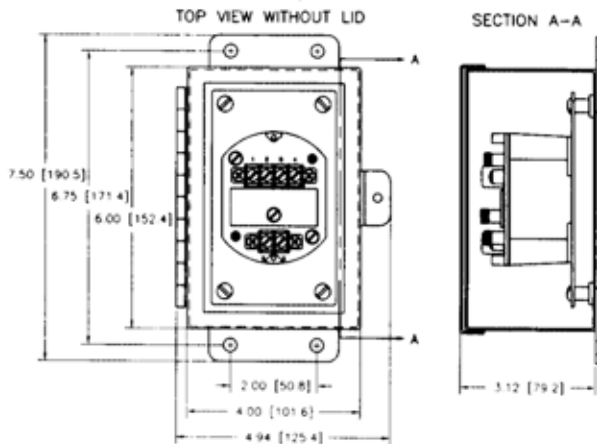
## DIN Option H 20A



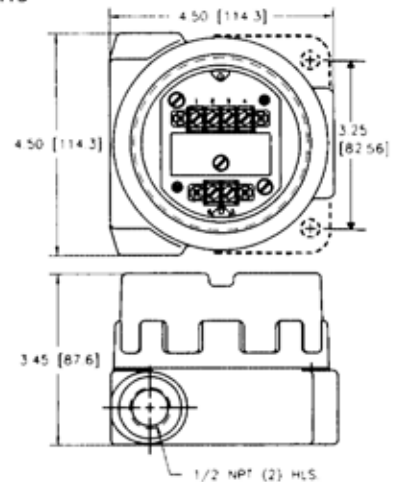
## Snap Track Options H 18 and H 19



## NEMA 4 & 12 Options H 13A and H 14A



## NEMA 7 Option H15



Note: The LPI 40 enclosure is 5.82 (147.8) high.