



ADTECH
Analog-Digital Technology, Inc.

The Adtech CLA 114 Loop-Powered Trip Alarm accepts 4-20 mA DC input and provides a relay contact output. The CLA loop-powered alarm does not require a separate DC or AC power supply source as conventional alarms do.

It accepts the standard process current signal of 4-20 mA DC and provides a SPDT contact output, or optionally, a DPDT contact output. Both are rated 4 amps, 30 VDC or 250 VAC resistive for either high- or low-alarm configuration.

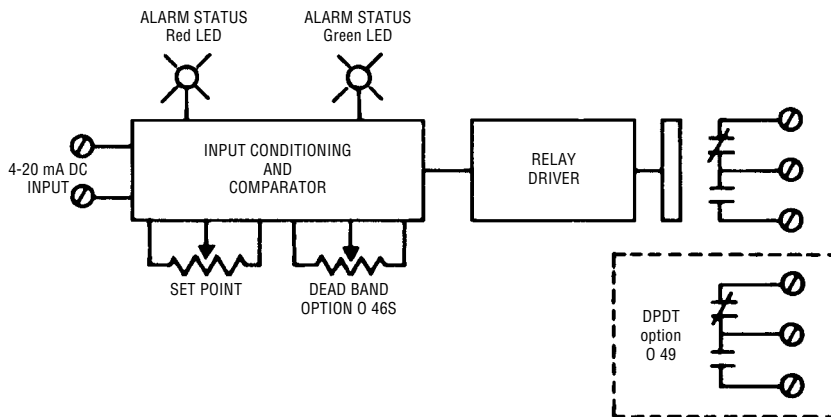
The CLA 114 has 0-100% adjustable set point and a 0.5% fixed dead band. Option O 46S provides a 1-100% adjustable dead band.

It has an input voltage drop of 7 VDC, which represents a 350 ohm input impedance to a 4-20 mA signal at full scale.

Two indicating LEDs are standard to the CLA. When the input signal exceeds the set point, a red pulsing LED comes on.

A pulsing green LED indicates the magnitude of the input signal. The pulse rate increases with an increasing input signal. This unique feature provides a visual indication of the relative signal level at a glance. When the input exceeds the set point, the green LED turns off, and the red LED turns on.

DIN mounting is supplied as standard. Surface mount (Option H 26) and snap track (Option H 25) are available at no extra cost, specify.



FEATURES

- **No External Power Source:** Loop powered, 28 mW at 4 mA from input loop
- **DC Current Inputs:** 4-20 mA
- **Repeatability:** 0.1% of span
- **Relay Action:** High- or low-trip
- **Output Contacts:** 4 amp, SPDT—standard; 4 amp, DPDT—optional
- **Input Signal Status:** Green LED
- **Alarm Status:** Red LED
- **Adjustable Dead Band:** 1-100%—optional
- **Isolation:** 1,500 VAC input to output contacts

Loop-Powered Trip Alarm/ Current Loop Alarm

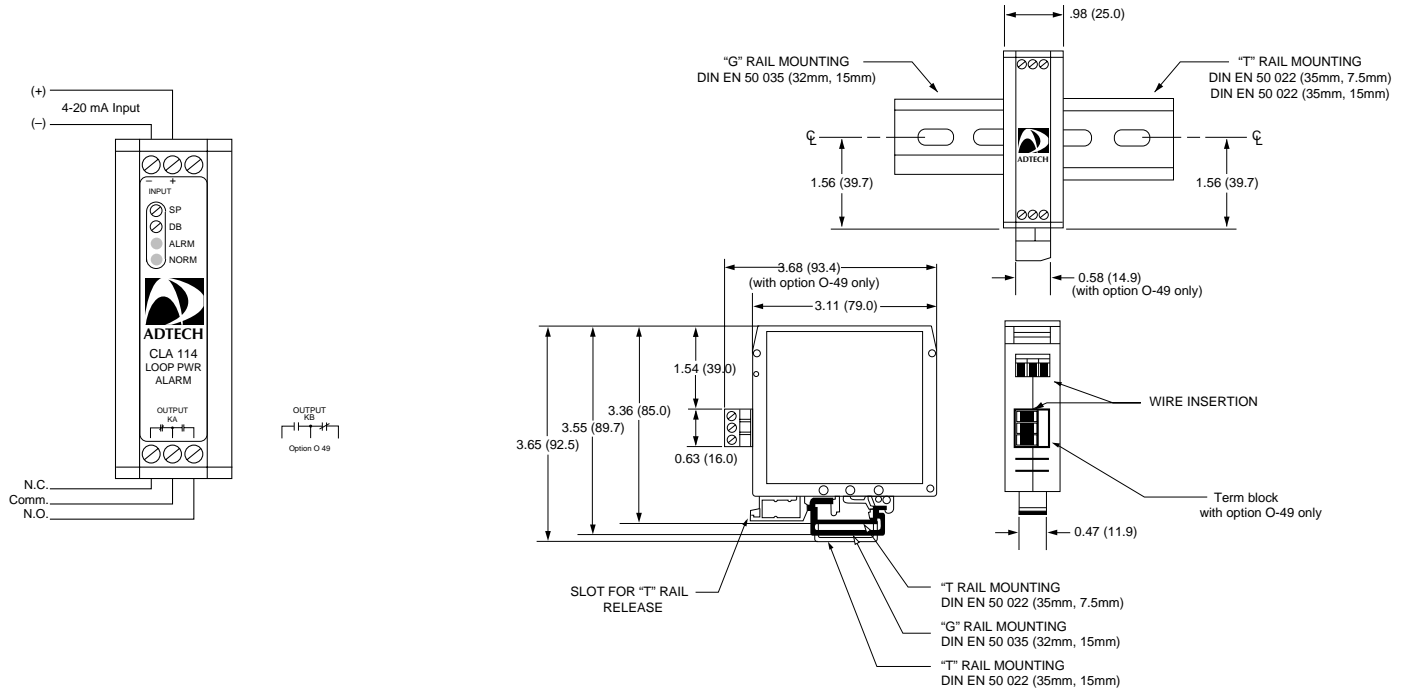
Model No. CLA 114

Typical Applications

- **General limit detector of DC current signal inputs**
- **On/off controller**
- **Alarm or shutdown of process variables**
- **Machine and process protection**
- **Contact inputs to annunciators, lights, and horns**
- **Tank-filling applications with dead band option**



Connections/Dimensions



Input/Output

Input Signals: 4-20 mA DC

Output Signals:

Standard: SPDT output contact, rated 4 amps at 30 VDC or 250 VAC resistive

Optional: DPDT output contact, rated 4 amps at 30 VDC or 250 VAC resistive: (Option O 49)

Performance

Repeatability: $\pm 0.1\%$ of span

Trip Point Stability: Zero and span $\pm 0.005\%/^{\circ}\text{F}$ typical,
 $\pm 0.01\%/^{\circ}\text{F}$ maximum for a 50°F change from ambient

Trip Adjustant: 0-100% of span continuously adjustable; blind set: infinite resolution

Fixed Dead Band: Factory set at 0.5% of span or setting (specify)

Adjustable Dead Band: 1% to 100% of span (specify), continuously adjustable; blind set

Response Time: Less than 200 milliseconds

Temperature Range: 0° to 140°F (-18° to 60°C) operating; -40° to 185°F (-40° to 85°C) storage

Input Voltage Drop: 7 volts nominal

Note: All accuracies are given as a percentage of span.

Power

External Power: None

Mechanical

Electrical Classification: General purpose

Connection: Screw compression type
accepts up to 14 AWG

Controls: Multiturn setpoint, (optional)
deadband and jumpers for
relay action

Mounting: DIN: Optional surface, snap track or
Nema 4 & 7.

Weight: Net unit: 4 oz (115 grams)
Shipping: 7 oz (200 grams)

Options

Option Number	Description
O 46S	Adjustable blind set dead band
O 49	DPDT contacts
H 15D	Explosion Proof: Class 1, Group B, C & D
H 25	Snap-track Mount (Specify)
H 26	Surface Mounting (Specify)
H 27	NEMA 4 Enclosure
H 29	T 35 DIN "T" rail—2 ft. long
H 30	T 32 DIN "G" rail—2 ft. long

Ordering Information

- Model number
- High or low alarm
- Electrical options
- Housing and miscellaneous options

Please refer to the Housing and/or Option Section for more specific and detailed information.

Represented by:



Analog-Digital Technology, Inc.
3750 Monroe Avenue
Pittsford, New York 14534-1302

Phone: (716) 383-8280
Fax: (716) 383-8386
Internet: ainc847401@aol.com
AOL: AInc847401

Information subject to change without notice.

Printed in U.S.A. #A097A